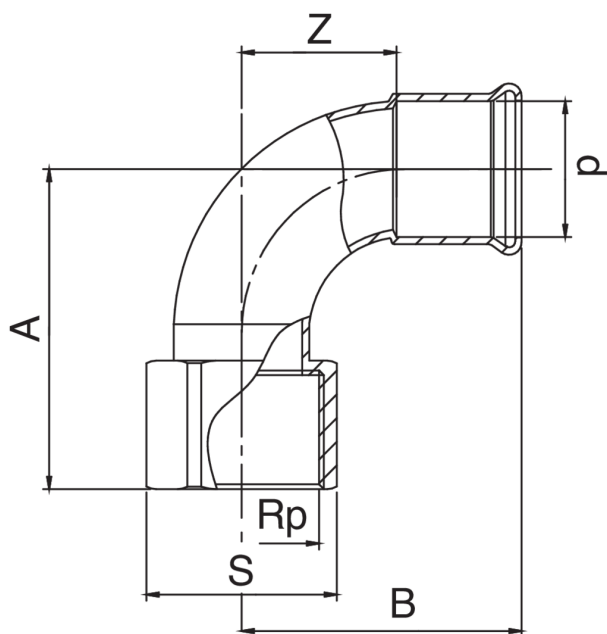


Coude 90° F/filetage femelle.

Spécifications techniques



D X RP	BAG	MASTER BOX	CODE	A	B	S	Z
15 x 1/2"	5	30	GMF90LA12015000	42	45	24	23,5
18 x 1/2"	5	30	GMF90LA12018000	45	49	24	26,5
22 x 3/4"	5	50	GMF90LA34022000	51	54	30	30,5
28 x 1"	5	15	GMF90LB01028000	61	63	36	38,5
35 x 1 1/4"	1	10	GMF90LB14035000	69	74	50	48,5

Applications



GAS



COMPRESSED
AIR



INDUSTRIAL