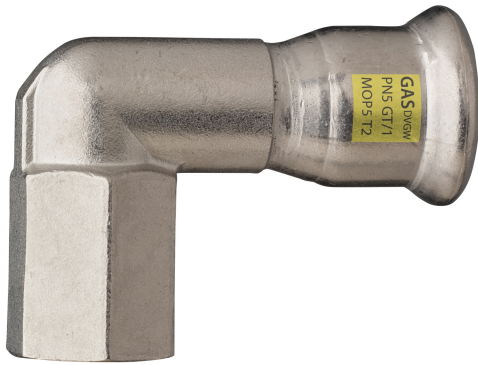
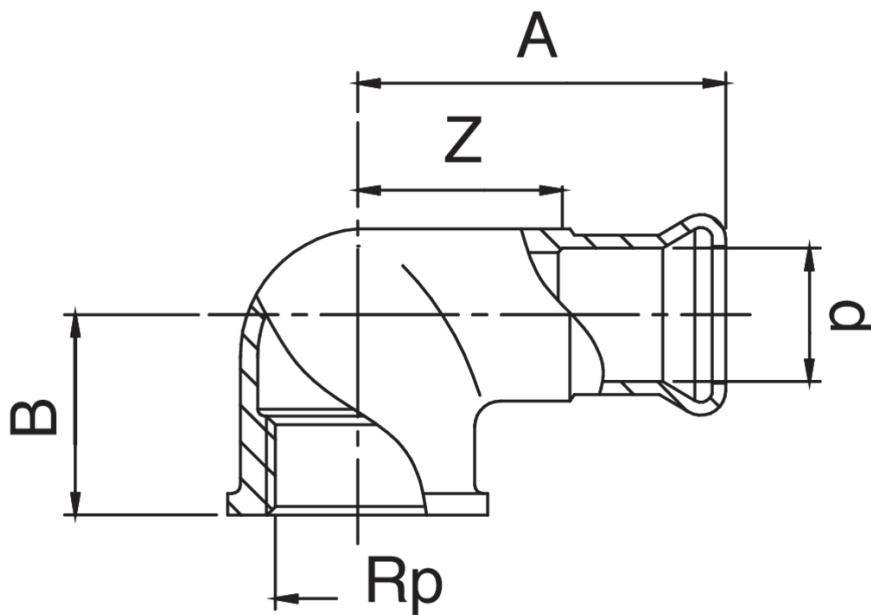


Coude F/filetage femelle.



Spécifications techniques



D X RP	BAG	MASTER BOX	CODE	A	B	Z
15 x 1/2"	5	50	GM0F90A12015000	46	31	27
18 x 1/2"	5	100	GM0F90A12018000	47	32	28
22 x 1/2"	5	75	GM0F90A12022000	48	32	27
22 x 3/4"	5	20	GM0F90A34022000	52	35	31
28 x 3/4"	5	20	GM0F90A34028000	52	38	28
28 x 1"	5	30	GM0F90B01028000	56	38	34
35 x 1"1/4	5	40	GM0F90B14035000	62	60	27

Applications



GAS



COMPRESSED
AIR



INDUSTRIAL