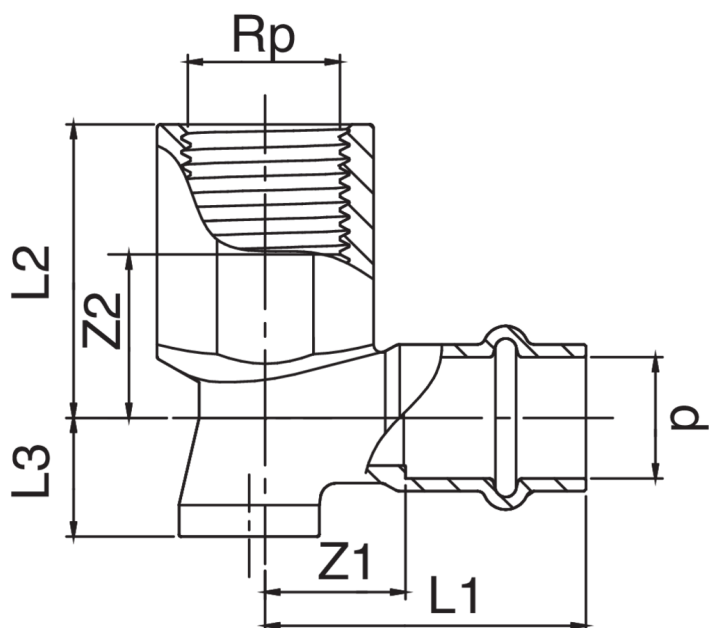




Applique coude F/filetage femelle.

Spécifications techniques



D X RP	BAG	MASTER BOX	CODE	L1	L2	L3	Z1	Z2
15 x 1/2"	5	70	GXF472A12015000	39	37	15	19	19
18 x 1/2"	5	50	GXF472A12018000	43	37	15	20	20
22 x 1/2"	5	30	GXF472A12022000	45	42	17	21	22
22 x 3/4"	5	40	GXF472A34022000	46	46	20	21	20
28 x 1"	5	10	GXF472B01028000	54	48	22	29	23

Applications



GAS



COMPRESSED
AIR



INDUSTRIAL