



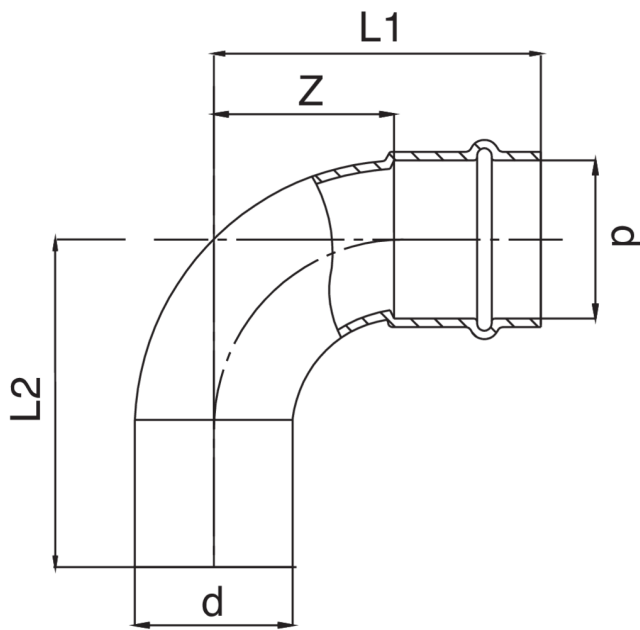
FRABO

frabo
press
316 GAS V
GX0001



Courbe 90° M/F.

Spécifications techniques



D	BAG	MASTER BOX	CODE	L1	L2	Z
15	10	100	GX0001015015000	40	42	18
18	10	100	GX0001018018000	45	47	22
22	5	70	GX0001022022000	51	53	27
28	5	40	GX0001028028000	59	61	34
35	5	10	GX0001035035000	68	70	42
42	1	10	GX0001042042000	87	89	51
54	1	4	GX0001054054000	105	107	65

Applications



GAS



COMPRESSED
AIR



INDUSTRIAL