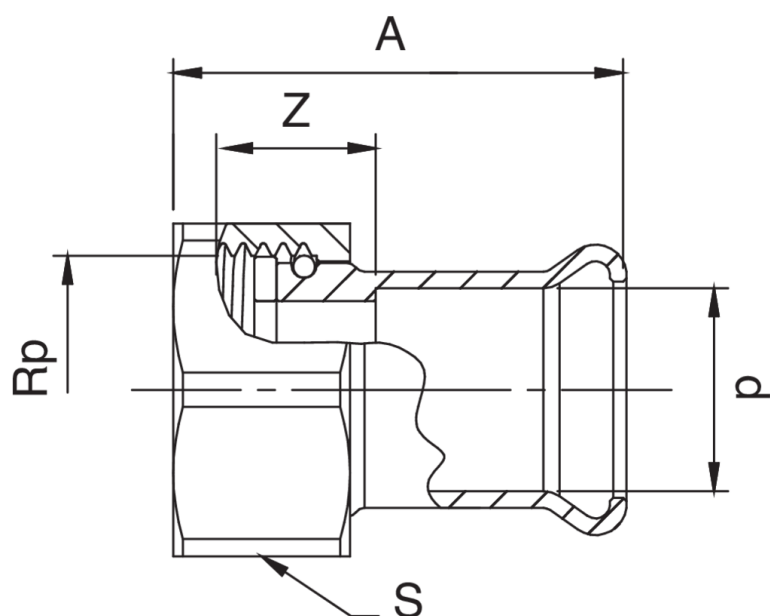




Raccord avec écrou en laiton F/filetage femelle.



Spécifications techniques



| D X RP | BAG | MASTER BOX | CODE | A | S | Z |
|-------------|-----|------------|-----------------|----|------|------|
| 15 x 1/2" | 10 | 50 | MXF359A12015000 | 40 | 24 | 20,5 |
| 15 x 3/4" | 10 | 100 | MXF359A34015000 | 28 | 30 | 8,5 |
| 18 x 3/4" | 5 | 100 | MXF359A34018000 | 32 | 30 | 12,5 |
| 22 x 3/4" | 5 | 50 | MXF359A34022000 | 47 | 30 | 24,5 |
| 22 x 1" | 5 | 100 | MXF359B01022000 | 34 | 37 | 11,5 |
| 28 x 1" | 5 | 80 | MXF359B01028000 | 37 | 48,5 | 22 |
| 28 x 1"1/4 | 10 | 50 | MXF359B14028000 | 31 | 46 | 8,5 |
| 35 x 1"1/2 | 5 | 20 | MXF359B12035000 | 34 | 46 | 8,5 |
| 35 x 1"13/4 | 5 | 60 | MXF359B14035000 | 47 | 56,5 | 27 |
| 42 x 1"1/2 | 2 | 54 | MXF359B12042000 | 52 | 61 | 30 |
| 42 x 1"3/4 | 2 | 50 | MXF359B34042000 | 60 | 40 | 30 |
| 54 x 2" | 2 | 30 | MXF359C02054000 | 64 | 71,5 | 35 |
| 54 x 2"3/8 | 1 | 10 | MXF359C38054000 | 47 | 76 | 12,5 |

Applications



DRINKING
WATER



HEATING



HVAC



COMPRESSED
AIR



FIREFIGHTING



MARINE



STEAM



SOLAR



INDUSTRIAL