



FRABO

frabo
press
316 M
MX0040

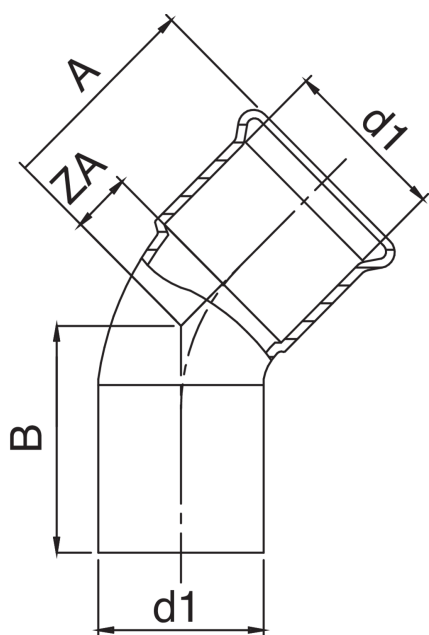
PATENTED



Courbe 45° M/F.



Spécifications techniques



| D1 | BAG | MASTER BOX | CODE | A | B | ZA |
|----|-----|------------|-----------------|----|----|------|
| 15 | 10 | 40 | MX0040015015000 | 29 | 30 | 9,5 |
| 18 | 10 | 100 | MX0040018018000 | 31 | 32 | 11,5 |
| 22 | 10 | 60 | MX0040022022000 | 34 | 35 | 11,5 |
| 28 | 5 | 40 | MX0040028028000 | 38 | 39 | 15,5 |
| 35 | 5 | 30 | MX0040035035000 | 43 | 44 | 17,5 |
| 42 | 1 | 20 | MX0040042042000 | 53 | 54 | 23,5 |
| 54 | 1 | 10 | MX0040054054000 | 69 | 70 | 34,5 |

Applications



DRINKING
WATER



HEATING



HVAC



COMPRESSED
AIR



FIREFIGHTING



MARINE



STEAM



SOLAR



INDUSTRIAL