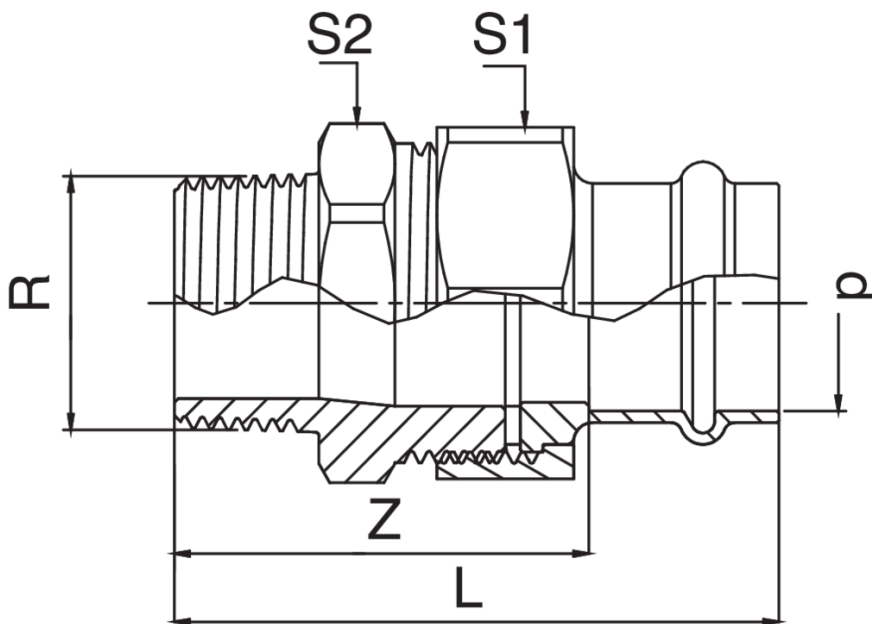


Union F/filetage mâle à joint plat.



## Spécifications techniques



<b>D X R</b>	<b>BAG</b>	<b>MASTER BOX</b>	<b>CODE</b>	<b>L</b>	<b>S1</b>	<b>S2</b>	<b>Z</b>
15 x 1/2"	5	50	ZXF341A12015000	66	24	27	44
15 x 3/4"	5	50	ZXF341A34015000	69	30	30	47
18 x 1/2"	5	50	ZXF341A12018000	69	30	30	46
18 x 3/4"	5	50	ZXF341A34018000	72	30	30	49
22 x 1/2"	5	50	ZXF341A12022000	83	30	30	59
22 x 3/4"	5	50	ZXF341A34022000	86	30	30	62
22 x 1"	5	30	ZXF341B01022000	81	37	35	57
28 x 1"	5	30	ZXF341B01028000	83	46	45	58
35 x 1"1/4	1	15	ZXF341B14035000	88	52	50	62
42 x 1"1/2	1	15	ZXF341B12042000	98	64	60	62
54 x 2"	1	8	ZXF341C02054000	106	85	75	66

## Applications



DRINKING  
WATER



HEATING



HVAC



COMPRESSED  
AIR



FIREFIGHTING



MARINE



STEAM



SOLAR



INDUSTRIAL