



FRABO

frabo
press
316 V
ZXF90L

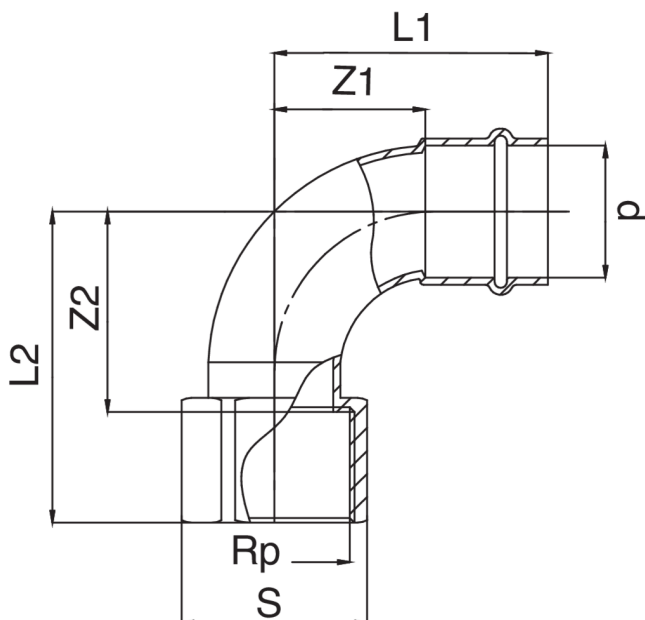
PATENTED



Coude 90° F/filetage femelle.



Spécifications techniques



D X RP	BAG	MASTER BOX	CODE	L1	L2	S	Z1	Z2
15 x 1/2"	5	30	ZXF90LA12015000	58	55	24	31	26
18 x 1/2"	5	30	ZXF90LA12018000	61	63	24	36	47
22 x 1/2"	5	30	ZXF90LA12022000	61	63	24	37	50
22 x 3/4"	5	50	ZXF90LA34022000	73	67	30	40	48
28 x 1"	5	15	ZXF90LB01028000	82	80	36	50	61
35 x 1"1/4	1	10	ZXF90LB14035000	92	90	50	66	66

Applications



DRINKING WATER



HEATING



HVAC



COMPRESSED AIR



FIREFIGHTING



MARINE



STEAM



SOLAR



INDUSTRIAL