



FRABO

frabo
press
CHROME
RK9041

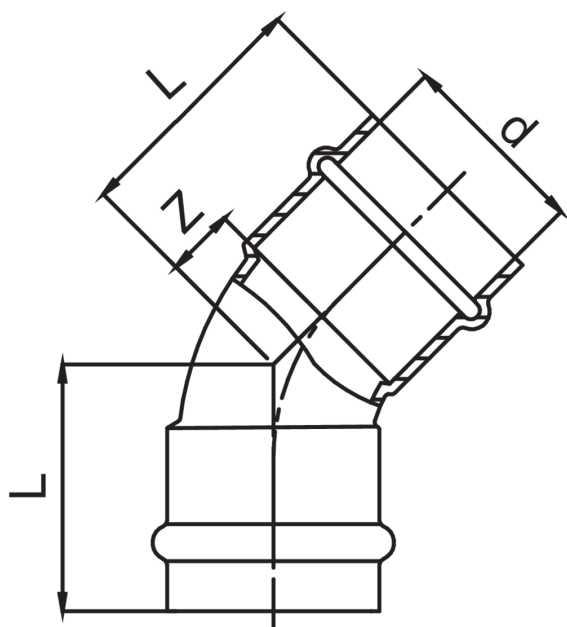
PATENTED



Courbe 45° F/F en cuivre.



Spécifications techniques



D	BAG	MASTER BOX	CODE	L	Z
12	10	250	RK9041012012000	25	7
15	10	200	RK9041015015000	29	7
18	10	150	RK9041018018000	31	8
22	10	80	RK9041022022000	34	10

Applications



HEATING



HVAC