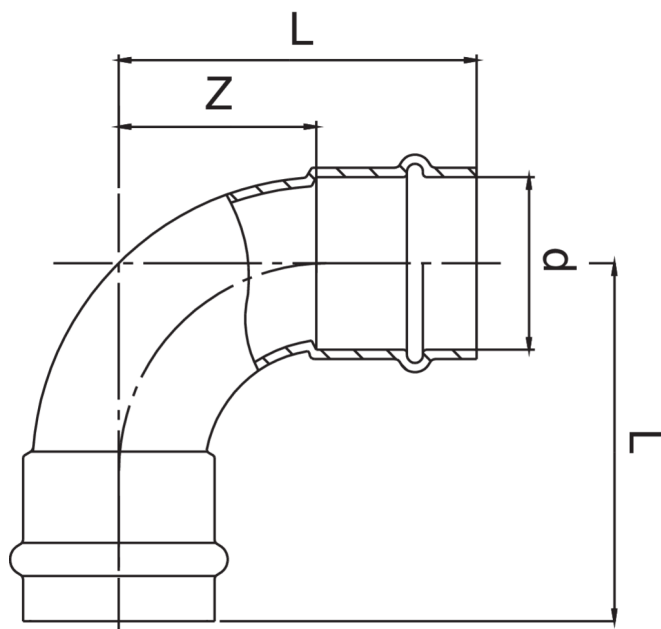


Courbe 90° F/F en cuivre.



Spécifications techniques



D	BAG	MASTER BOX	CODE	L	Z
15	10	150	HT9002015015000	40	18
18	10	100	HT9002018018000	45	22
22	10	60	HT9002022022000	47	23
28	5	40	HT9002028028000	59	34
35	5	30	HT9002035035000	68	42

Applications



SOLAR



STEAM



COMPRESSED AIR



INDUSTRIAL