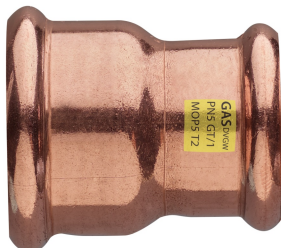
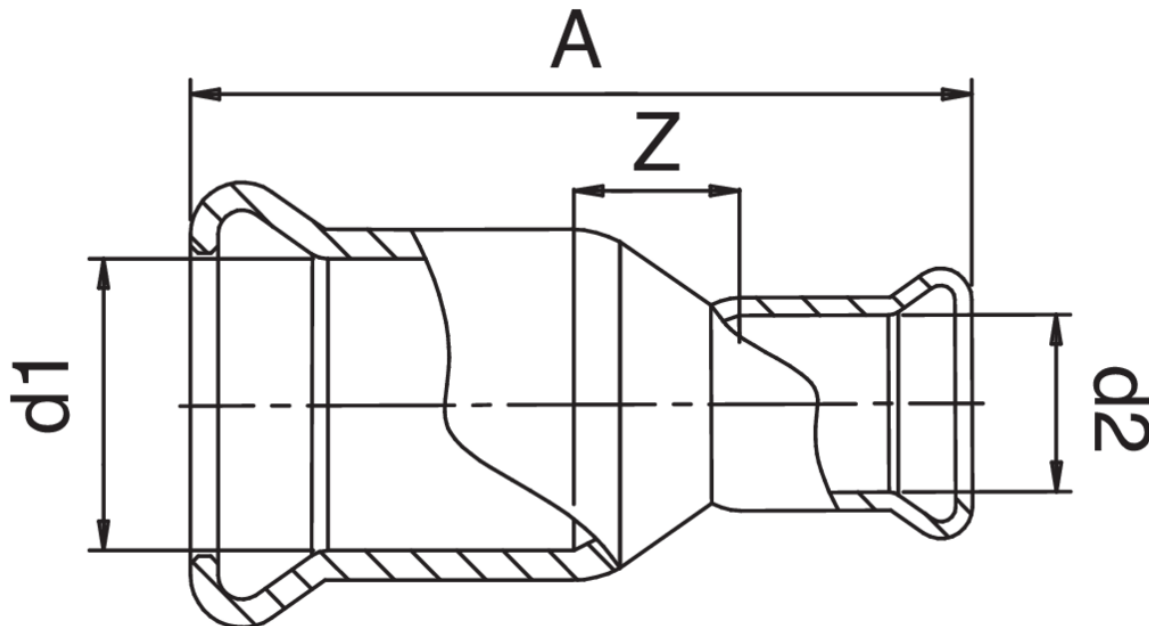


Réduction F/F en cuivre.



Spécifications techniques



D1 X D2	BAG	MASTER BOX	CODE	A	Z
15 x 12	10	300	QM9240015012000	42	4
18 x 15	10	200	QM9240018015000	45	5
22 x 15	10	150	QM9240022015000	48	5
22 x 18	10	130	QM9240022018000	49	6
28 x 22	5	80	QM9240028022000	51	5
35 x 28	5	50	QM9240035028000	56	7
42 x 35	5	30	QM9240042035000	63	7

Applications



COMPRESSED
AIR



GAS



INDUSTRIAL