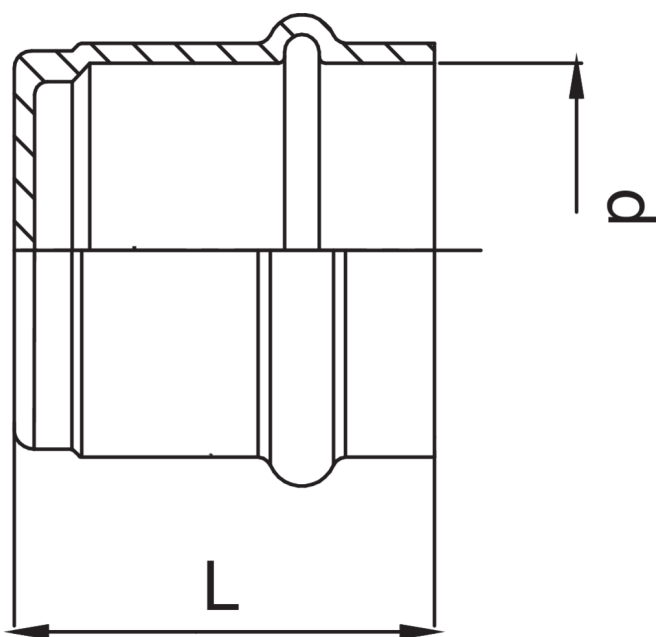




Bouchon F en cuivre.

Spécifications techniques



D	BAG	MASTER BOX	CODE	L
15	10	400	PG9301015000000	25
18	10	300	PG9301018000000	26
22	10	200	PG9301022000000	27
28	10	150	PG9301028000000	28
35	5	70	PG9301035000000	30
42	5	40	PG9301042000000	40
54	5	30	PG9301054000000	45

Applications



GAS



INDUSTRIAL



COMPRESSED
AIR