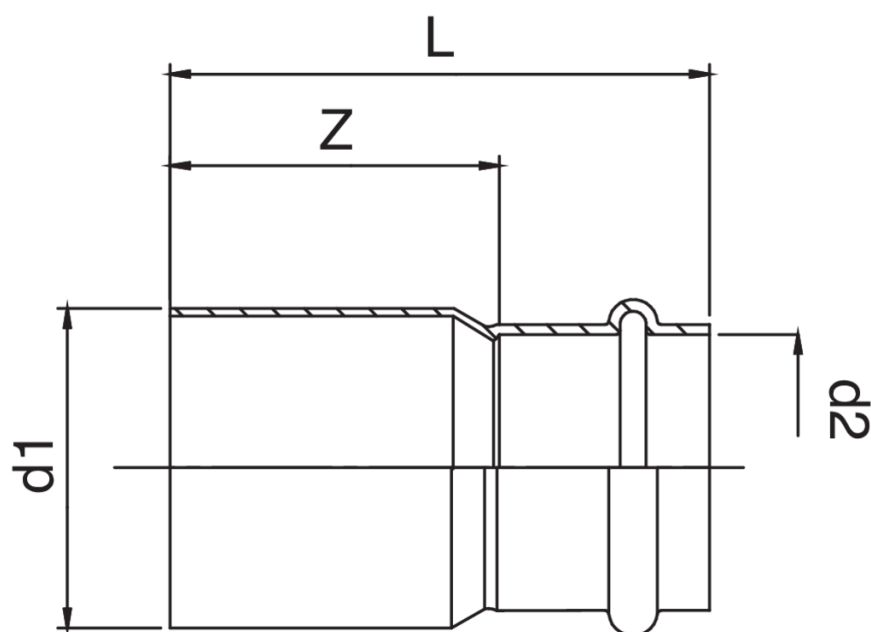


Réduction M/F en cuivre.

Spécifications techniques



D1 X D2	BAG	MASTER BOX	CODE	L	Z
15 x 12	10	300	PG9243015012000	44	26
18 x 15	10	100	PG9243018015000	50	28
22 x 15	10	150	PG9243022015000	56	34
22 x 18	10	150	PG9243022018000	52	29
28 x 15	10	100	PG9243028015000	60	38
28 x 18	10	100	PG9243028018000	59	36
28 x 22	10	100	PG9243028022000	58	34
35 x 22	10	60	PG9243035022000	64	40
35 x 28	10	50	PG9243035028000	59	34
42 x 22	5	50	PG9243042022000	76	52
42 x 28	5	40	PG9243042028000	74	49
42 x 35	5	40	PG9243042035000	68	42
54 x 35	5	20	PG9243054035000	89	63
54 x 42	5	20	PG9243054042000	90	54

Applications



GAS



INDUSTRIAL



COMPRESSED
AIR