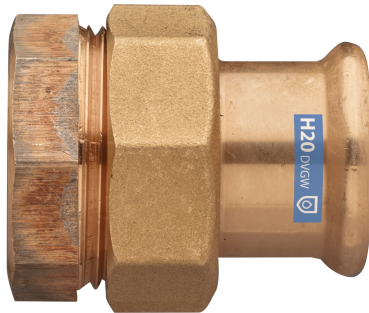


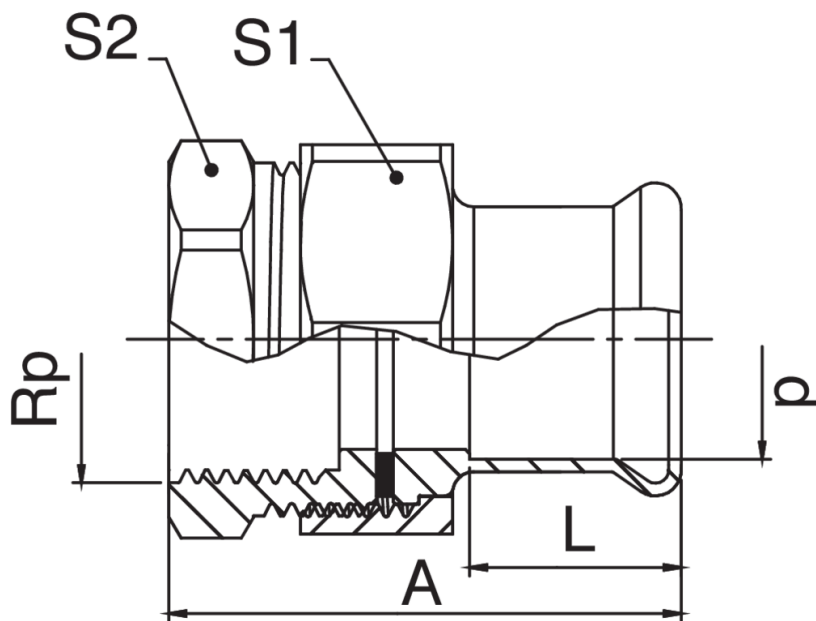
Union F/filetage femelle en bronze.



NEW



## Spécifications techniques



D X RP	BAG	MASTER BOX	CODE	A	L	S1	S2
15 x 1/2"	1	60	ZM8345A12015000	52	20	30	27
22 x 3/4"	5	50	ZM8345A34022000	62	23	37	34
28 x 1"	5	20	ZM8345B01028000	46	23	42	59
35 x 1"1/4	1	20	ZM8345B14035000	46	26	48	68
42 x 1"1/2	1	10	ZM8345B12042000	64	30	60	76
54 x 2"	1	8	ZM8345C02054000	85	35	70	81

## Applications



DRINKING  
WATER



HEATING



HVAC



COMPRESSED  
AIR



FIREFIGHTING