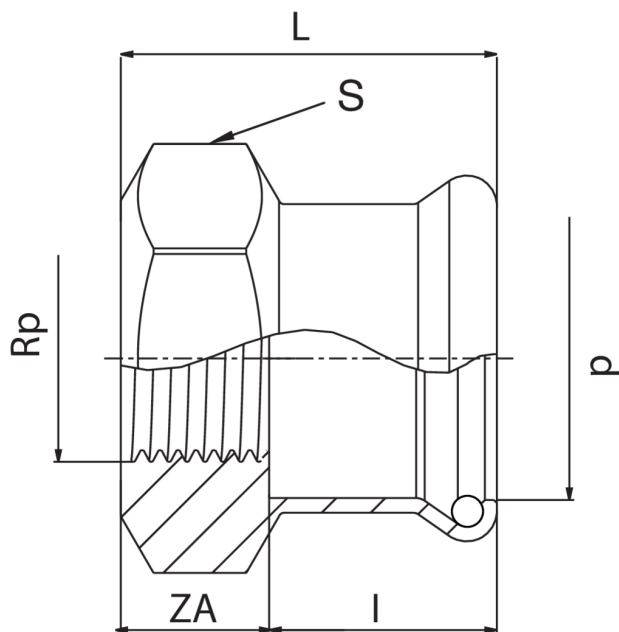


Manchon F/filetage femelle en bronze.



## Spécifications techniques



D X RP	BAG	MASTER BOX	CODE	I	L	S	ZA
12 x 3/8"	10	250	ZM8270A38012000	19	30,5	20	11,5
12 x 1/2"	10	200	ZM8270A12012000	19,5	34,5	24	15
15 x 3/8"	10	200	ZM8270A38015000	21	32,5	20	11,5
15 x 1/2"	10	200	ZM8270A12015000	21,5	36,5	24	15
15 x 3/4"	10	150	ZM8270A34015000	22	38,5	31	16,5
18 x 1/2"	10	150	ZM8270A12018000	21,5	36,5	24	15
18 x 3/4"	10	100	ZM8270A34018000	23	39,5	31	16,5
22 x 1/2"	10	100	ZM8270A12022000	23	37	27	14
22 x 3/4"	10	100	ZM8270A34022000	24,5	41	31	16,5
22 x 1"	5	80	ZM8270B01022000	25	44	38	19
28 x 3/4"	5	60	ZM8270A34028000	23	38,5	32	15,5
28 x 1"	5	50	ZM8270B01028000	25	44	38	19
28 x 1"1/4	5	30	ZM8270B14028000	25,5	47	48	21,5
35 x 3/4"	5	50	ZM8270A34035000	27,5	44	40	16,5
35 x 1"	5	40	ZM8270B01035000	27	46	40	19
35 x 1"1/4	5	40	ZM8270B14035000	27	50	48	23
42 x 1"1/4	5	25	ZM8270B14042000	30	51	48	21
42 x 1"1/2	5	25	ZM8270B12042000	32	54	56	22
54 x 1"1/2	5	20	ZM8270B12054000	37	63	68	26
54 x 2"	1	15	ZM8270C02054000	37	63	68	26

## Applications



DRINKING  
WATER



HEATING



HVAC



COMPRESSED  
AIR



FIREFIGHTING