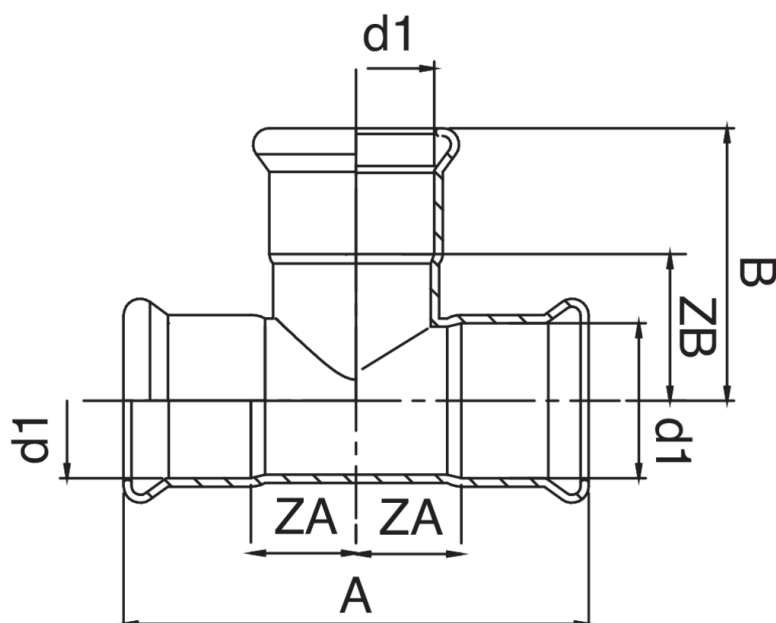




Té F/F/F en cuivre.



## Spécifications techniques



D1	BAG	MASTER BOX	CODE	A	B	ZA	ZB
12	10	150	ZM9130012012012	56	28	10	10
15	10	100	ZM9130015015015	64	32	12	12
18	10	80	ZM9130018018018	68	34	14	14
22	5	40	ZM9130022022022	74	37	14	14
28	5	35	ZM9130028028028	84	42	19	19
35	5	20	ZM9130035035035	100	50	24	24
42	1	10	ZM9130042042042	116	58	28	28
54	1	10	ZM9130054054054	138	69	34	34

# Applications



DRINKING WATER



HEATING



HVAC



COMPRESSED AIR



FIREFIGHTING