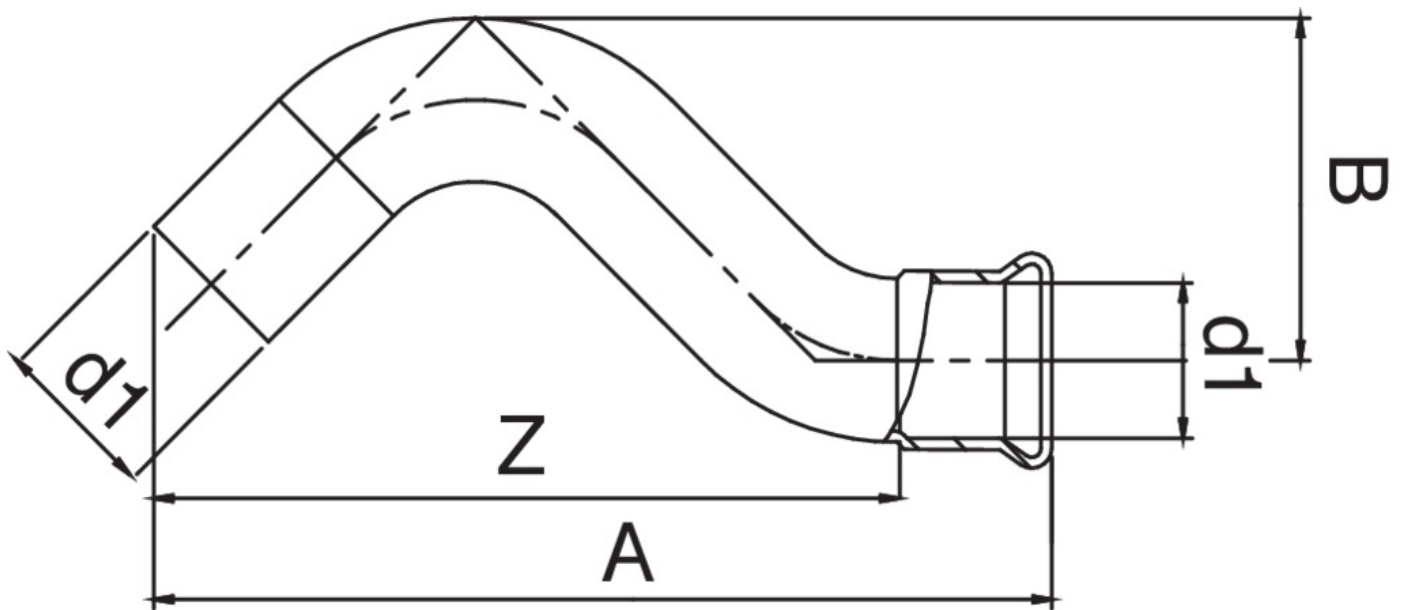




Clarinette M/F en cuivre.



## Spécifications techniques



D1	BAG	MASTER BOX	CODE	A	B	Z
12	10	200	ZM9086012012000	90	32	18
15	10	70	ZM9086015015000	112	35	20
18	10	70	ZM9086018018000	110	38	20
22	5	25	ZM9086022022000	135	47	23

## Applications



DRINKING  
WATER



HEATING



HVAC



COMPRESSED  
AIR



FIREFIGHTING

