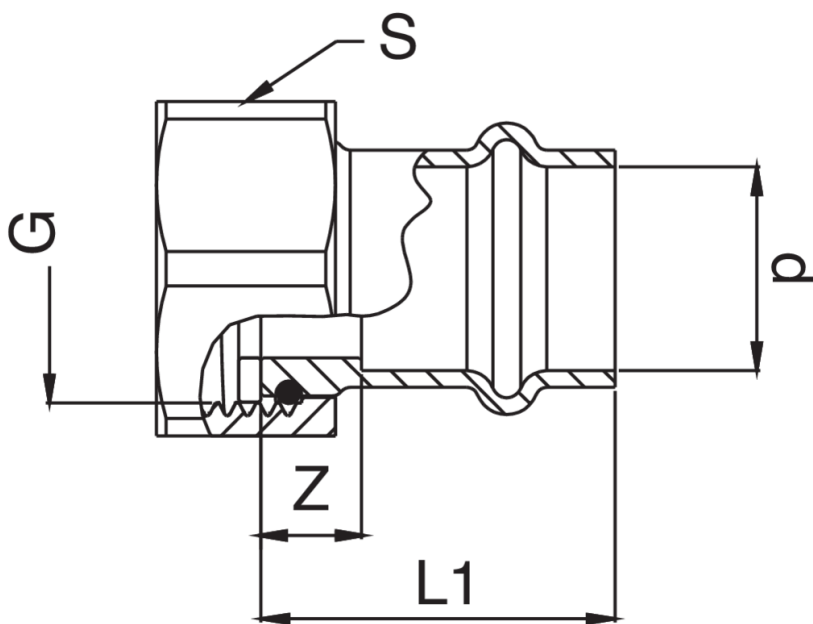


Raccord en bronze avec écrou en laiton F/filetage femelle.



## Spécifications techniques



D X G	BAG	MASTER BOX	CODE	L1	S	Z
12 x 3/8"	10	150	RZ8359A38012000	40	20	18
12 x 1/2"	10	150	RZ8359A12012000	30	24	12
12 x 3/4"	10	100	RZ8359A34012000	25	30	7
14 x 3/8"	10	100	RZ8359A38014000	43	20	21
14 x 1/2"	10	100	RZ8359A12014000	31	24	9
14 x 3/4"	10	150	RZ8359A34014000	29	30	7
15 x 1/2"	10	100	RZ8359A12015000	44	24	22
15 x 3/4"	10	150	RZ8359A34015000	29	30	7
16 x 1/2"	10	100	RZ8359A12016000	44	24	22
16 x 3/4"	10	100	RZ8359A34016000	32	30	10
18 x 3/4"	10	70	RZ8359A34018000	32	30	9
18 x 1"	10	100	RZ8359018B01000	33	37	10
22 x 3/4"	10	80	RZ8359022A34000	46	30	22
22 x 1"	10	100	RZ8359022B01000	38	37	14
28 x 1"1/4	5	50	RZ8359B14028000	34	46	9
28 x 1"1/2	5	30	RZ8359028B12000	34	52	9
35 x 2"	5	20	RZ8359035C02000	34	64	8
42 x 2"	5	20	RZ8359042C02000	48	64	12

## Applications



DRINKING  
WATER



HEATING



HVAC



COMPRESSED  
AIR



FIREFIGHTING