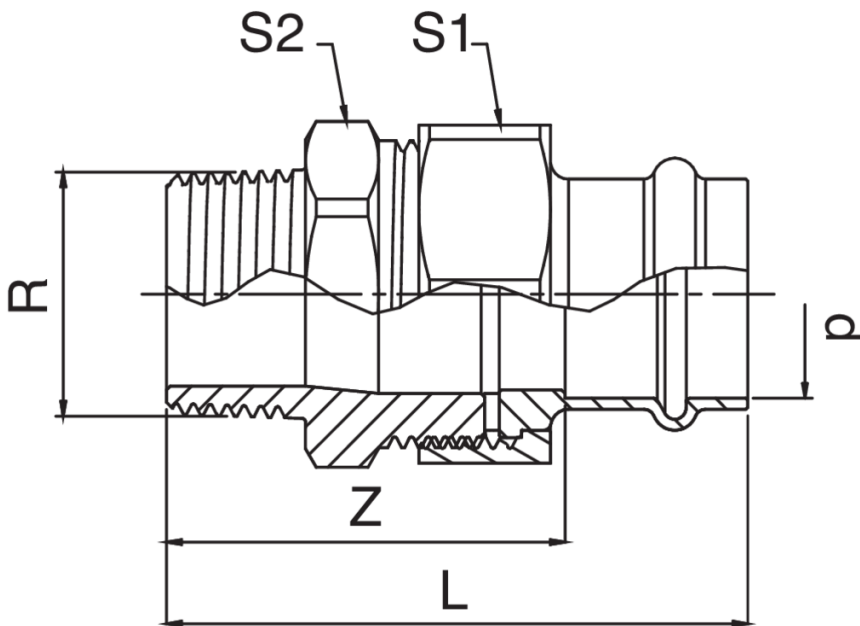


Union F/filetage mâle en bronze.



Spécifications techniques



D X R	BAG	MASTER BOX	CODE	L	S1	S2	Z
12 x 3/8"	10	150	RZ8341A38012000	63	25	25	45
12 x 1/2"	5	80	RZ8341A12012000	61	30	30	43
15 x 1/2"	5	60	RZ8341A12015000	66	30	30	44
15 x 3/4"	5	50	RZ8341A34015000	69	30	30	47
18 x 1/2"	5	50	RZ8341A12018000	69	30	30	46
18 x 3/4"	5	50	RZ8341A34018000	72	30	30	49
22 x 1/2"	5	30	RZ8341A12022000	83	30	30	59
22 x 3/4"	5	50	RZ8341A34022000	86	30	30	62
22 x 1"	5	40	RZ8341B01022000	81	37	35	57
28 x 3/4"	5	50	RZ8341A34028000	81	30	30	56
28 x 1"	5	20	RZ8341B01028000	83	46	45	58
35 x 1"1/4	1	20	RZ8341B14035000	88	52	50	62
42 x 1"1/2	1	10	RZ8341B12042000	98	64	60	62
54 x 2"	1	8	RZ8341C02054000	106	85	75	66

Applications



DRINKING
WATER



HEATING



HVAC



COMPRESSED
AIR



FIREFIGHTING