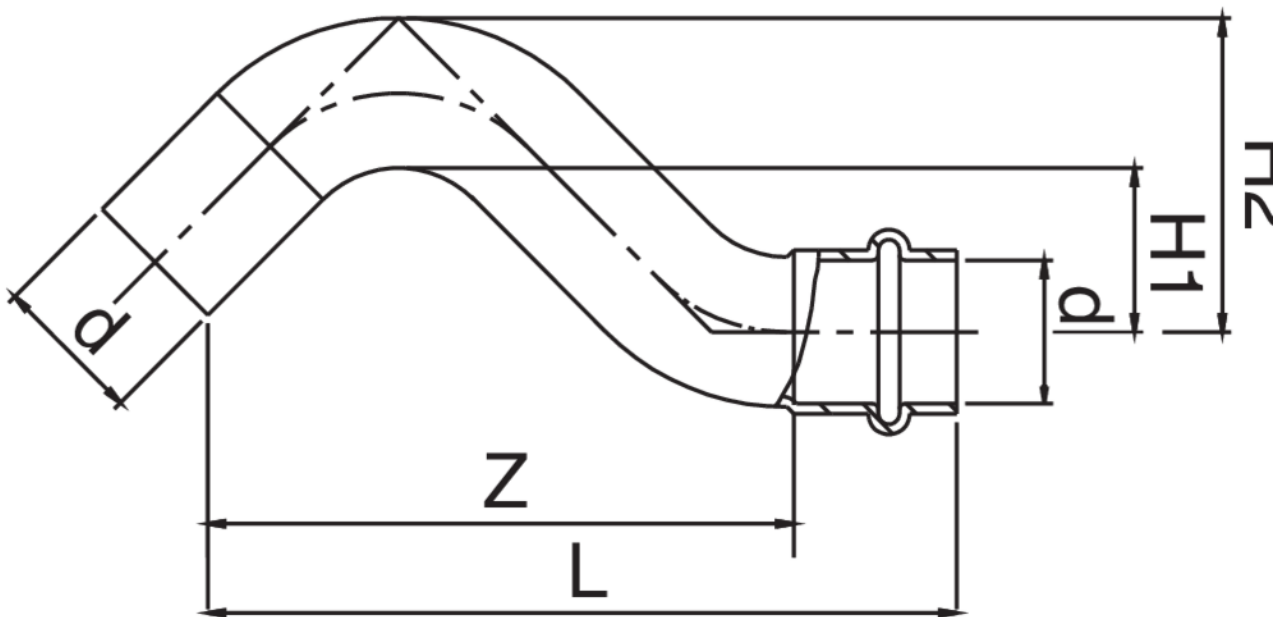




Clarinette M/F en cuivre.



Spécifications techniques



D	BAG	MASTER BOX	CODE	L	Z	H1	H2
12	10	100	RS9086012012000	112	94	20	32
15	10	100	RS9086015015000	119	97	20	35
18	10	70	RS9086018018000	137	114	20	38
22	5	25	RS9086022022000	160	136	30	52

Applications



DRINKING
WATER



HEATING



HVAC



GAS



COMPRESSED
AIR



FIREFIGHTING

