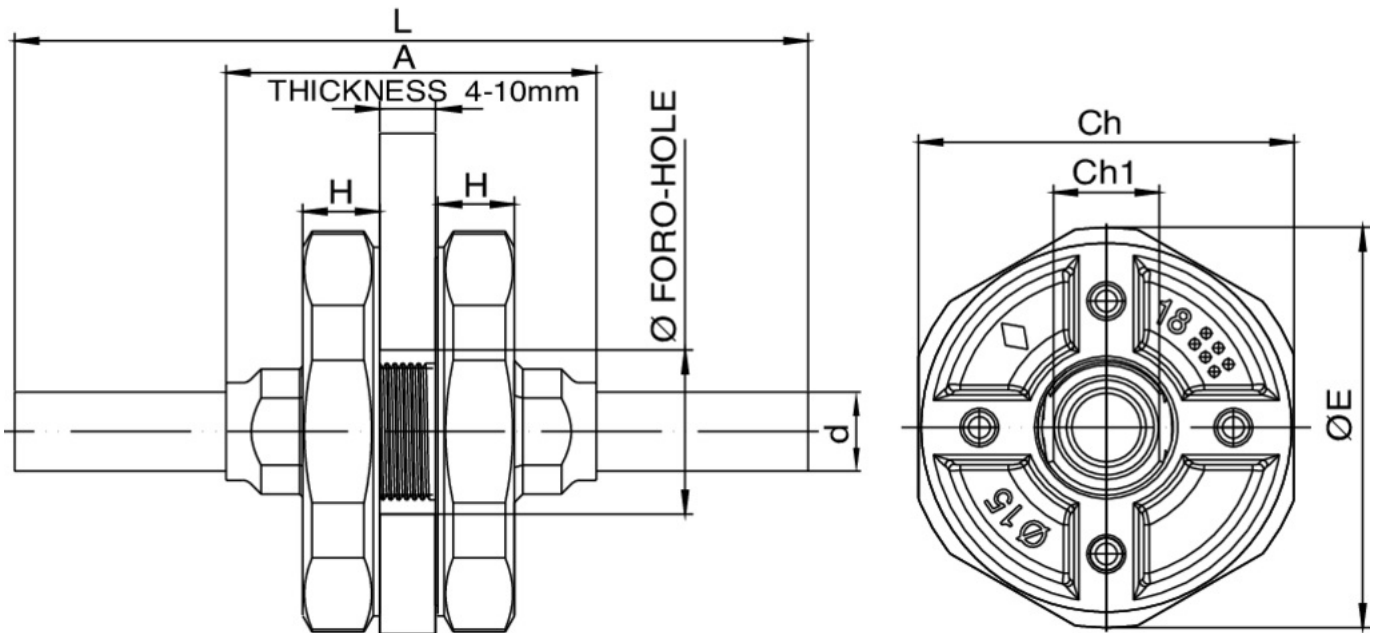


Passage étanche pont/cloison, ininflammable en classe A30/60.

Spécifications techniques



D	MASTER BOX	CODE	A	ØE	CH	CH1	H	L	PN	Ø HOLE
76	2	AX0381076076000	84	148	139	82	19	805	16	91
88	2	AX0381089089000	86	161	152	95	20	820	16	104
108	2	AX0381108108000	88	180	171	114	21	850	16	123

For the insulation, please refer to technical manual or contact our sales department.

Applications



DRINKING
WATER



HEATING



HVAC



COMPRESSED
AIR



FIREFIGHTING



MARINE



STEAM



SOLAR



INDUSTRIAL

