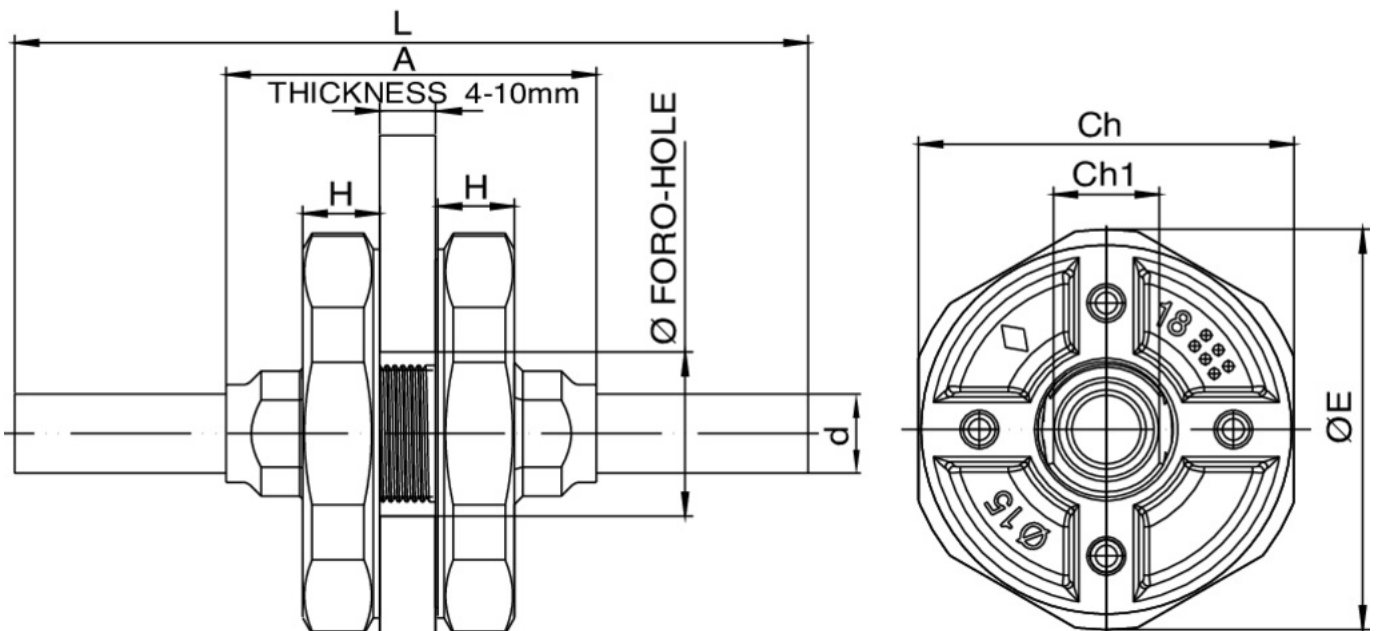


Passage étanche pont/cloison, ininflammable en classe A30/60.

Spécifications techniques



D	MASTER BOX	CODE	A	ØE	CH	CH1	H	L	PN	Ø HOLE
15	4	MX038015015000	70	76	71	20	14,5	735	16	29
22	4	MX0381022022000	75	84	79	26,5	15	740	16	36
28	4	MX0381028028000	77	93	87	33	15,5	740	16	42
35	3	MX0381035035000	80	100	94	40	16	750	16	49
42	3	MX0381042042000	81	108	101	47	16,5	760	16	56
54	3	MX0381054054000	82	126	117	60	18	770	16	69

For the insulation, please refer to technical manual or contact our sales department.

Applications



DRINKING WATER



HEATING



HVAC



COMPRESSED AIR



FIREFIGHTING



MARINE



STEAM



SOLAR



INDUSTRIAL