



**FRABO**

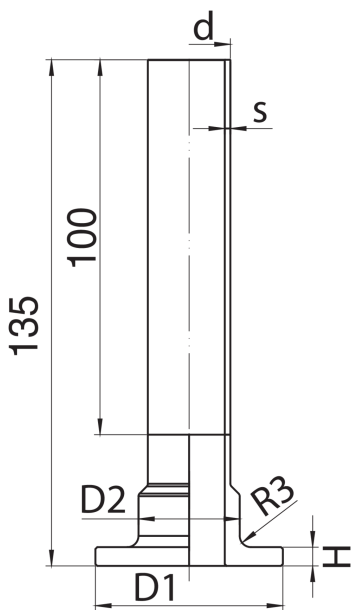
**frabo**  
**press**  
316 M  
**AX0275**

Collier pour brides tournantes PN6-PN10/16.



**NEW**

## Spécifications techniques



D X D1	BAG	MASTER BOX	CODE	PN	D2	H	S
76.1 x 110	2	4	AX0275076110000	6	79	6	2
76.1 x 122	2	4	AX0275076122000	10/16	79	6	2
88.9 x 128	2	4	AX0275089128000	6	92	7	2
88.9 x 138	2	4	AX0275089138000	10/16	92	7	2
108 x 148	2	4	AX0275108148000	6	111,5	7	2
108 x 158	2	4	AX0275108158000	10/16	111,5	7	2

## Applications



DRINKING  
WATER



HEATING



HVAC



COMPRESSED  
AIR



FIREFIGHTING



MARINE



STEAM



SOLAR



INDUSTRIAL