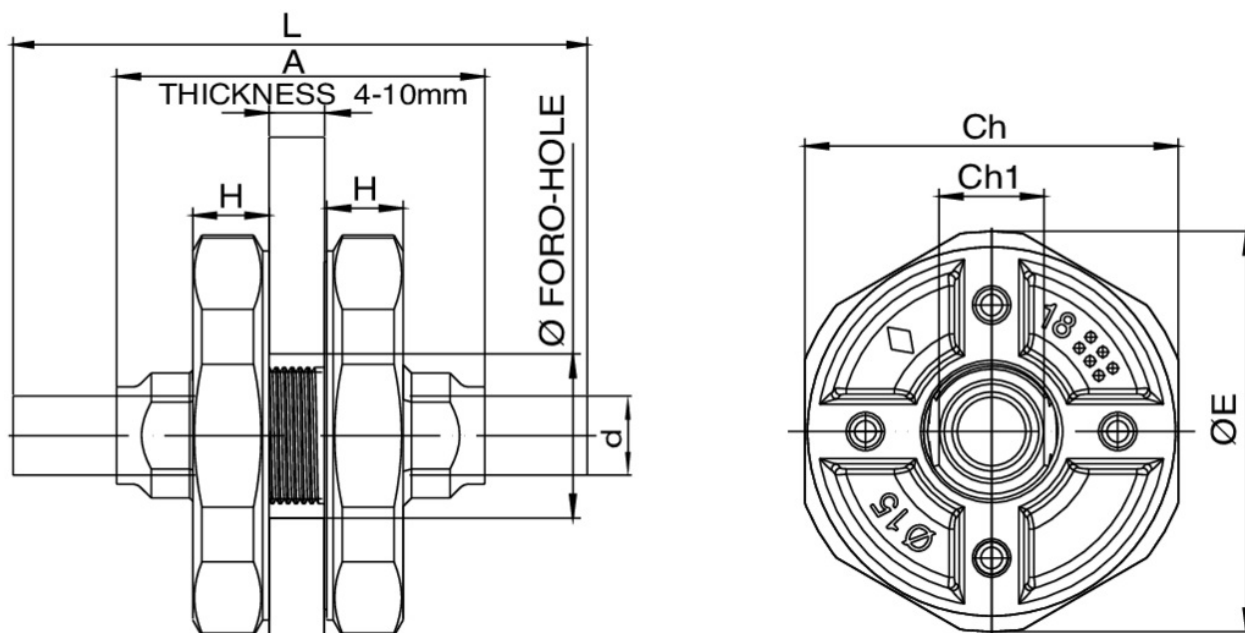


Passage étanche pont/cloison, ininflammable en classe A0.

## Spécifications techniques



D	MASTER BOX	CODE	A	ØE	CH	CH1	H	L	PN	Ø HOLE
76	2	AX0380076076000	84	148	139	82	19	290	16	91
88	4	AX0380089089000	86	161	152	95	20	305	16	104
108	4	AX0380108108000	88	180	171	114	21	340	16	123

For the insulation, please refer to technical manual or contact our sales department.

## Applications



DRINKING  
WATER



HEATING



HVAC



COMPRESSED  
AIR



FIREFIGHTING



MARINE



STEAM



SOLAR



INDUSTRIAL

