

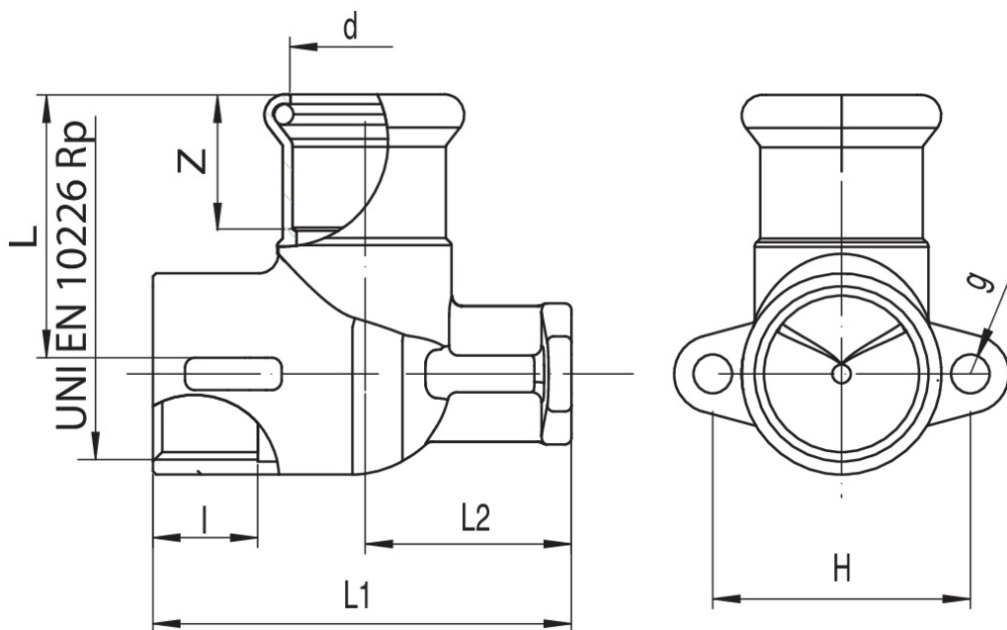
Applique coude.



NEW



Spécifications techniques



D X RP	BAG	MASTER BOX	CODE	L	L1	L2	Z	I	H	G
15 x 1/2"	10	80	MXF474A12015000	38	65	34	20	15	40	6
18 x 1/2"	10	80	MXF474A12018000	38	65	34	20	15	40	6
22 x 3/4"	5	50	MXF474A34022000	43	65	32	21	16,3	40	6

Applications



DRINKING
WATER



HEATING



HVAC



COMPRESSED
AIR



FIREFIGHTING



MARINE



STEAM



SOLAR



INDUSTRIAL