

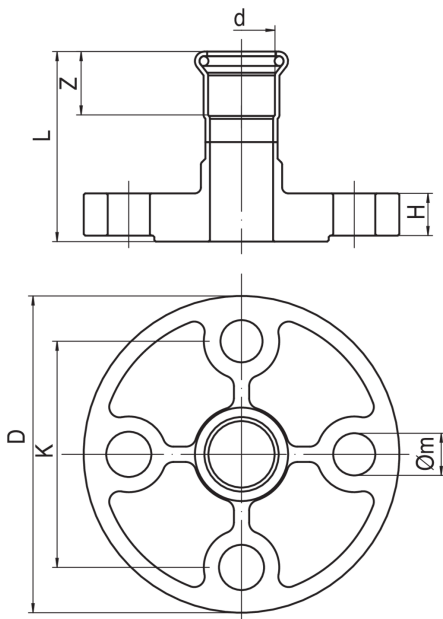


Joint avec bride PN6.

**NEW**



## Spécifications techniques



D	BAG	MASTER BOX	CODE	L	H	Z	D	K	M	N° HOLES
76,1	1	5	AX0274076000000	102	12	54	160	130	14	4
88,9	1	3	AX0274089000000	116	14	61	190	150	18	4
108	1	2	AX0274108000000	132	14	76	210	170	18	4

## Applications



DRINKING  
WATER



HEATING



HVAC



COMPRESSED  
AIR



FIREFIGHTING



MARINE



STEAM



SOLAR



INDUSTRIAL