



FRABO

frabo
press
316 M
AX0049

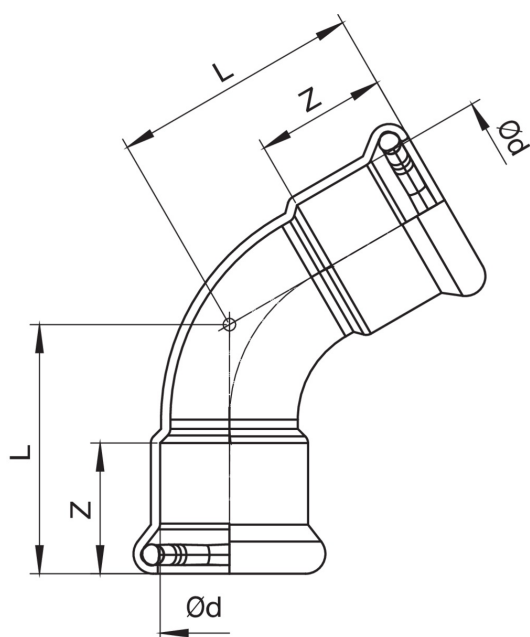
Courbe 60° F/F.



NEW



Spécifications techniques



D	BAG	MASTER BOX	CODE	L	Z
76,1	1	5	AX0049076076000	120	54
88,9	1	3	AX0049089089000	137	61
108	1	2	AX0049108108000	181,5	76

Applications



DRINKING
WATER



HEATING



HVAC



COMPRESSED
AIR



FIREFIGHTING



MARINE



STEAM



SOLAR



INDUSTRIAL