



FRABO

frabo
press
316 M
MX0049

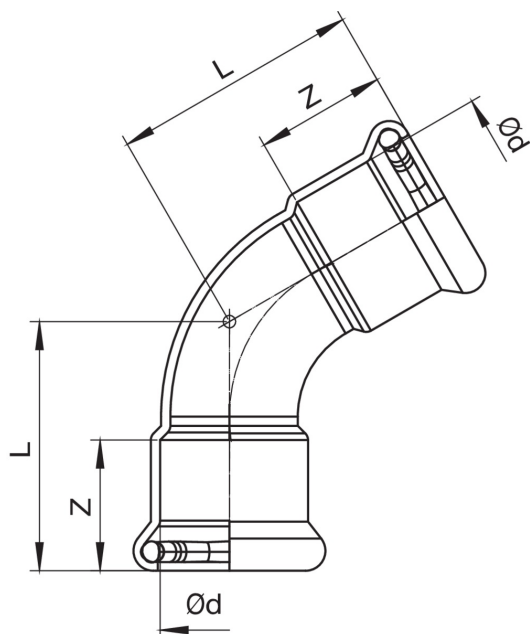


Courbe 60° F/F.

NEW



Spécifications techniques



D	BAG	MASTER BOX	CODE	L	Z
15	10	250	MX0049015015000	34	19
18	10	250	MX0049018018000	36	19,5
22	5	120	MX0049022022000	42,5	21
28	5	60	MX0049028028000	46,5	22
35	5	50	MX0049035035000	69	27
42	2	24	MX0049042042000	88,5	30
54	2	16	MX0049054054000	112,5	35

Applications



DRINKING
WATER



HEATING



HVAC



COMPRESSED
AIR



FIREFIGHTING



MARINE



STEAM



SOLAR



INDUSTRIAL