



**FRABO**

**frabo**  
**press**  
316 M  
**AX0048**

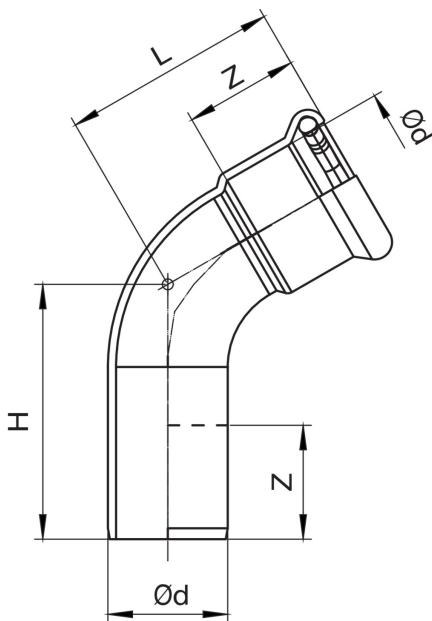
Courbe 60° M/F.



**NEW**



## Spécifications techniques



D	BAG	MASTER BOX	CODE	L	H	Z
76,1	1	5	AX0048076076000	120	126	54
88,9	1	3	AX0048089089000	137	145	61
108	1	2	AX0048108108000	181,5	189,5	76

## Applications



DRINKING  
WATER



HEATING



HVAC



COMPRESSED  
AIR



FIREFIGHTING



MARINE



STEAM



SOLAR



INDUSTRIAL