



FRABO

frabo
press
316 M
AX0046

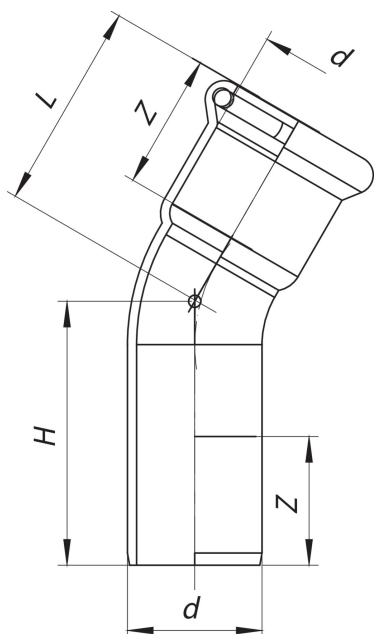
Courbe 30° M/F.



NEW



Spécifications techniques



D	BAG	MASTER BOX	CODE	L	H	Z
76,1	1	6	AX0046076076000	88,5	96,5	54
88,9	1	3	AX0046089089000	101,5	109,5	61
108	1	2	AX0046108108000	131,4	139,4	76

Applications



DRINKING
WATER



HEATING



HVAC



COMPRESSED
AIR



FIREFIGHTING



MARINE



STEAM



SOLAR



INDUSTRIAL