



**FRABO**

**frabo**  
**press**  
316 M  
**MX0046**

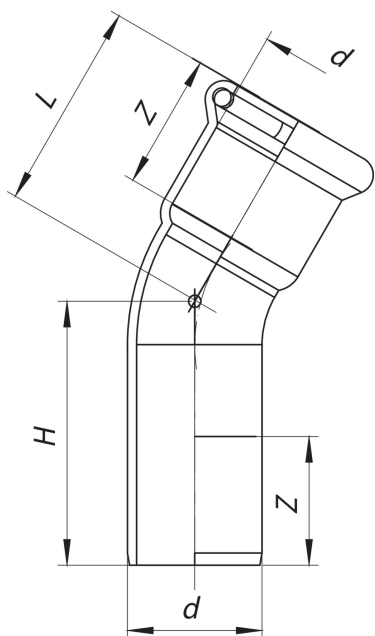
Courbe 30° M/F.



**NEW**



## Spécifications techniques



D	BAG	MASTER BOX	CODE	L	H	Z
15	10	250	MX0046015015000	32,5	39	19
18	10	250	MX0046018018000	29,5	36	19,5
22	5	120	MX0046022022000	34	41	21
28	5	60	MX0046028028000	36	42	22
35	5	40	MX0046035035000	61,3	67,8	27
42	2	28	MX0046042042000	75,8	80,1	30
54	2	16	MX0046054054000	90,5	97	35

## Applications



DRINKING  
WATER



HEATING



HVAC



COMPRESSED  
AIR



FIREFIGHTING



MARINE



STEAM



SOLAR



INDUSTRIAL