



FRABO

frabo
press
316 M
MX0043

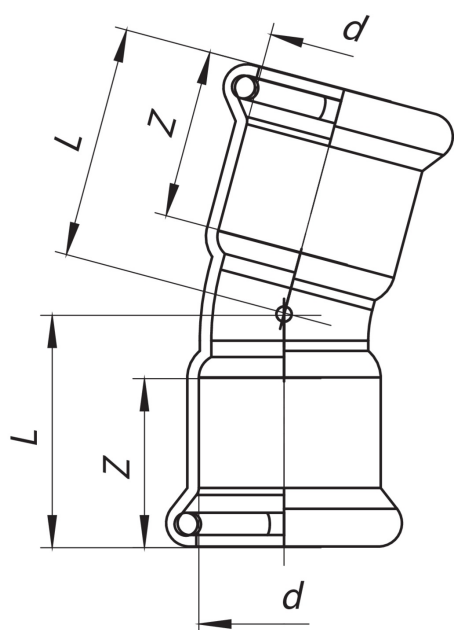
Courbe 15° F/F.



NEW



Spécifications techniques



D	BAG	MASTER BOX	CODE	L	Z
15	10	250	MX0043015015000	30	19
18	10	250	MX0043018018000	26,2	19,5
22	5	120	MX0043022022000	30,5	21
28	5	60	MX0043028028000	30	22
35	5	40	MX0043035035000	55,5	27
42	2	28	MX0043042042000	66,2	30
54	2	16	MX0043054054000	81,5	35

Applications



DRINKING
WATER



HEATING



HVAC



COMPRESSED
AIR



FIREFIGHTING



MARINE



STEAM



SOLAR



INDUSTRIAL