



FRABO

frabo
press
316 M
AX0042

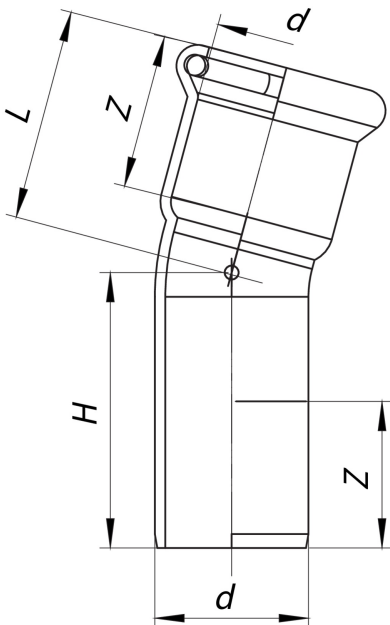
Courbe 15° M/F.



NEW



Spécifications techniques



D	BAG	MASTER BOX	CODE	L	H	Z
76,1	1	6	AX0042076076000	75,5	83,5	54
88,9	1	6	AX0042089089000	86	94	61
108	1	3	AX0042108108000	109,3	117,3	76

Applications



DRINKING
WATER



HEATING



HVAC



COMPRESSED
AIR



FIREFIGHTING



MARINE



STEAM



SOLAR



INDUSTRIAL