



FRABO

frabo
press
316 M
MX0042

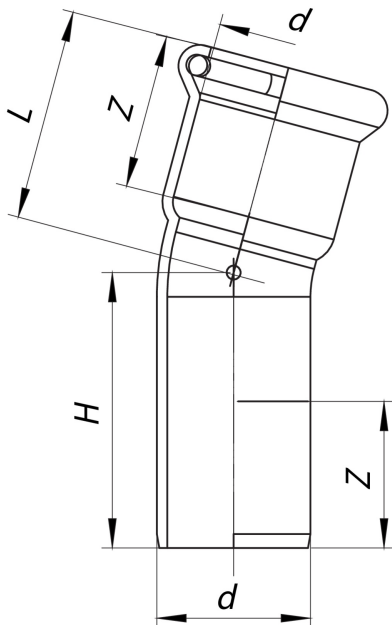


Courbe 15° M/F.

NEW



Spécifications techniques



D	BAG	MASTER BOX	CODE	L	H	Z
15	10	250	MX0042015015000	30	36,5	19
18	10	250	MX0042018018000	26,2	32,7	19,5
22	5	120	MX0042022022000	30,5	37,5	21
28	5	60	MX0042028028000	30	39	22
35	5	40	MX0042035035000	55,5	62	27
42	2	30	MX0042042042000	68,2	72,7	30
54	2	16	MX0042054054000	81,5	88	35

Applications



DRINKING
WATER



HEATING



HVAC



COMPRESSED
AIR



FIREFIGHTING



MARINE



STEAM



SOLAR



INDUSTRIAL