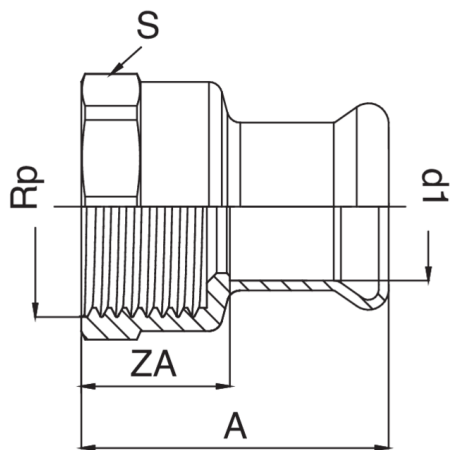


Manchon F/filetage femelle.



Spécifications techniques



D X RP	BAG	MASTER BOX	CODE	I	L	S	ZA
76,1 x 2"1/2	1	8	ACF270C12076000	55	114	86	59

Applications



HEATING



HVAC



COMPRESSED
AIR