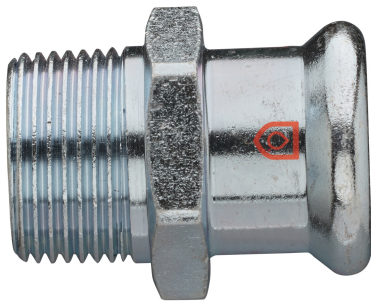
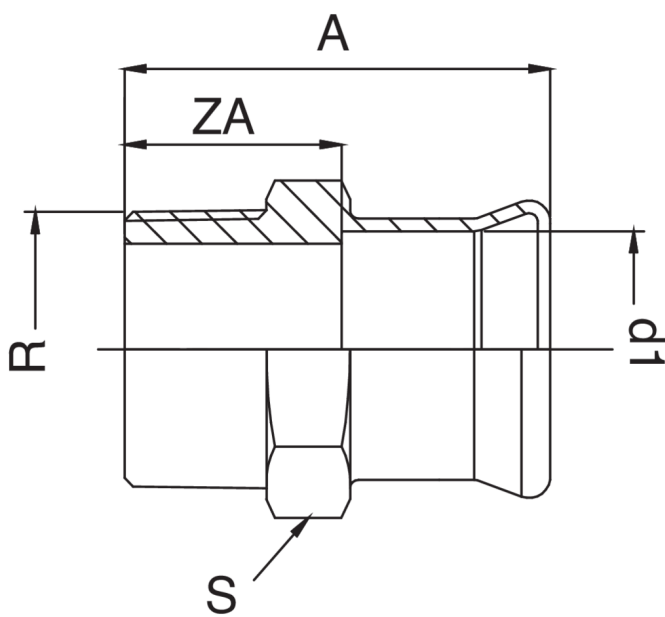


Manchon F/filetage mâle.



Spécifications techniques



D1 X R	BAG	MASTER BOX	CODE	A	S	ZA
66,7 x 2"1/2	1	15	ACF243C12067000	-	-	-
76,1 x 2"1/2	1	8	ACF243C12076000	114	86	59
88,9 x 3"	1	5	ACF243D03089000	125,5	98	65,5
108 x 4"	1	3	ACF243E04108000	151	122	81

Applications



HEATING



HVAC



COMPRESSED
AIR