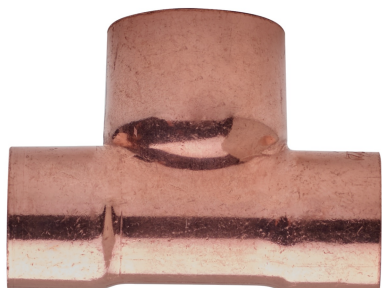
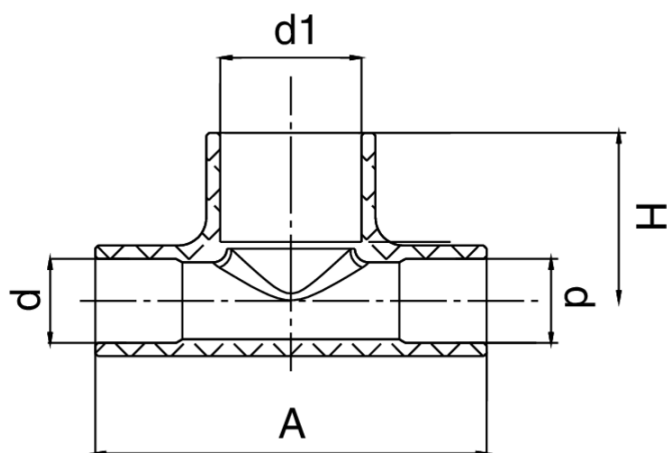


RG5130

Té réduit latéral symétrique F/F/F.



Spécifications techniques



| D X D1 X D | BAG | MASTER BOX | CODE | A | H |
|--------------|-----|------------|-----------------|------|------|
| 18 x 22 x 18 | 10 | 100 | RG5130018022018 | 32 | 30 |
| 22 x 28 x 22 | 5 | 50 | RG5130022028022 | 37 | 35 |
| 28 x 35 x 28 | 5 | 25 | RG5130028035028 | 42,5 | 40 |
| 35 x 42 x 35 | 5 | 10 | RG5130035042035 | 48 | 49 |
| 42 x 54 x 42 | 2 | 8 | RG5130042054042 | 61,5 | 60,5 |
| 42 x 64 x 42 | 1 | 5 | RG5130042064042 | 82 | 72 |
| 54 x 67 x 54 | 1 | 8 | RG5130054067054 | 90 | 80 |
| 64 x 76 x 64 | 1 | 8 | RG5130064076064 | 100 | 80 |

Applications



GAS



COMPRESSED AIR



SOLAR



INDUSTRIAL



REFRIGERATION



DRINKING WATER



HVAC