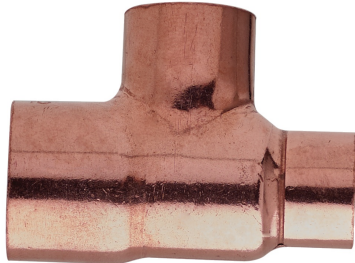
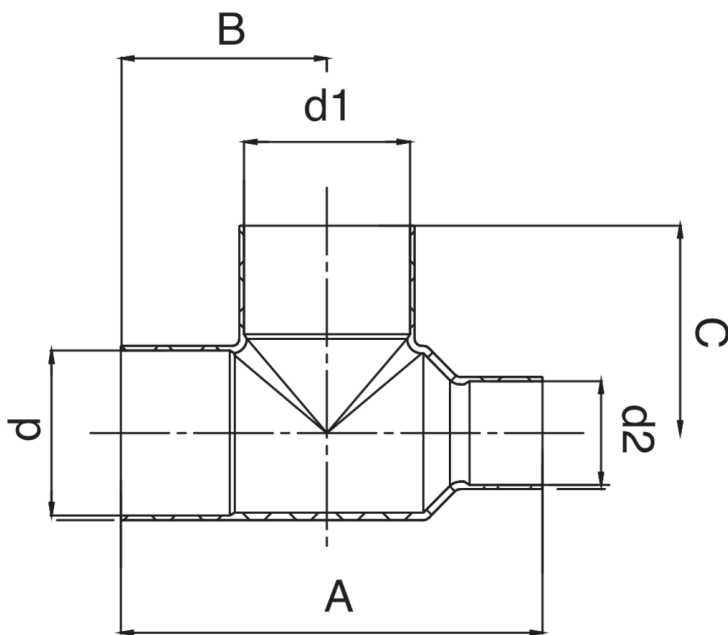


FR5130

Té réduit latéral F/F/F.



Spécifications techniques



D X D1 X D2	BAG	MASTER BOX	CODE	A	B	C
1/4" x 3/8" x 3/8"	10	500	FR5130A14A38A38	26	14	13
1"5/8 x 1"3/8 x 1"3/8	5	20	FR5130B58B38B38	96	47,5	48
2"1/8 x 1"5/8 x 1"5/8	1	5	FR5130C18B58B58	119	58,5	58
2"5/8 x 2"1/8 x 2"1/8	1	10	FR5130C58C18C18	120	60	60

Applications



REFRIGERATION

