



**FRABO**

**frabo**  
**press**  
**M**

**RR9243**

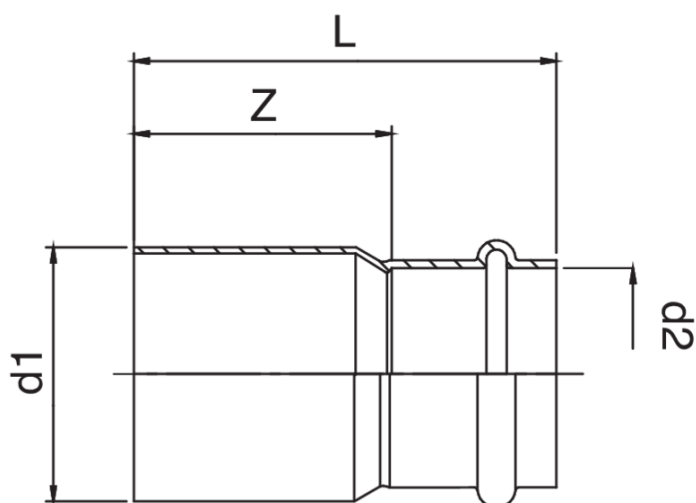
**PATENTED**



Réduction M/F en cuivre.



## Spécifications techniques



D1 X D2	BAG	MASTER BOX	CODE	L	Z
76.1 x 54*	1	5	RR9243076054000	146	106
88.9 x 54*	1	5	RR9243089054000	190	150
108 x 54*	1	5	RR9243108054000	253	213

\* V profile.

# Applications



DRINKING WATER



HEATING



HVAC



COMPRESSED AIR



FIREFIGHTING