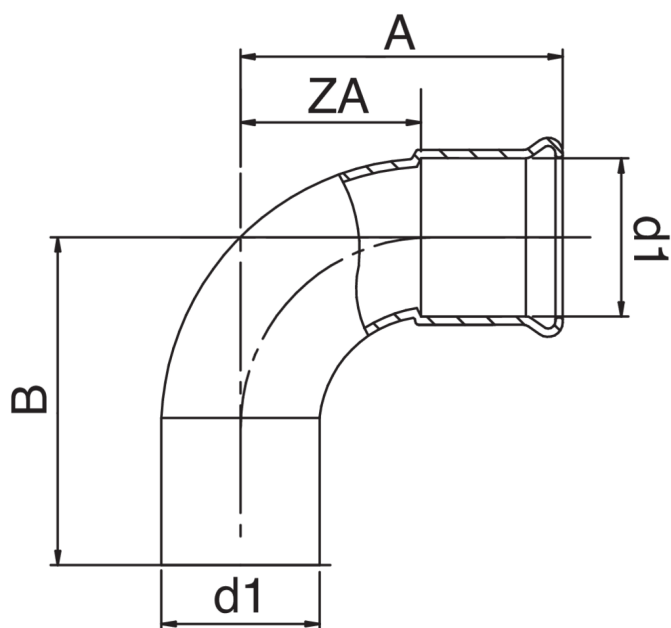




Curva 90° M/H.



Especificaciones técnicas



| D1 | BAG | MASTER BOX | CÓDIGO | A | B | ZA |
|------|-----|------------|-----------------|-----|-----|-----|
| 76,1 | 1 | 5 | AX0001076076000 | 148 | 154 | 93 |
| 88,9 | 1 | 4 | AX0001089089000 | 174 | 190 | 111 |
| 108 | 1 | 2 | AX0001108108000 | 215 | 238 | 138 |

Aplicaciones



DRINKING
WATER



HEATING



HVAC



COMPRESSED
AIR



FIREFIGHTING



MARINE



STEAM



SOLAR



INDUSTRIAL