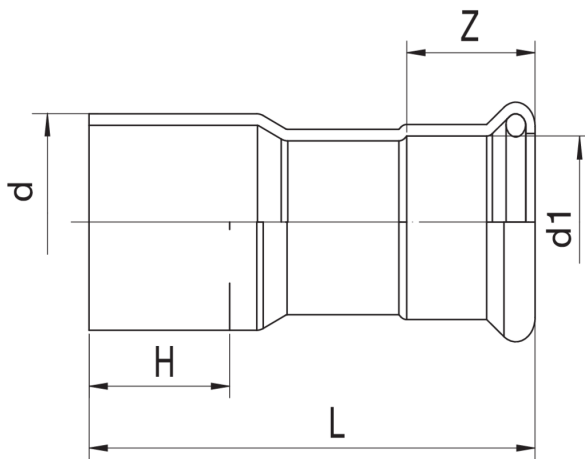




Reducción macho/hembra.

## Especificaciones técnicas



| D X D1      | BAG | MASTER BOX | CÓDIGO      | L    | Z    | H    |
|-------------|-----|------------|-------------|------|------|------|
| 18 x 15     | 10  | 250        | 5N04001815  | 54   | 19   | 19,5 |
| 22 x 15     | 10  | 250        | 5N04002215  | 64   | 19   | 21   |
| 22 x 18     | 10  | 250        | 5N04002218  | 60   | 19,5 | 21   |
| 28 x 15     | 10  | 200        | 5N04002815  | 70   | 19   | 22   |
| 28 x 18     | 10  | 200        | 5N04002818  | 70   | 19,5 | 22   |
| 28 x 22     | 5   | 150        | 5N04002822  | 69   | 21   | 22   |
| 35 x 22     | 5   | 100        | 5N04003522  | 71,5 | 21   | 27   |
| 35 x 28     | 5   | 100        | 5N04003528  | 72   | 22   | 27   |
| 42 x 28     | 2   | 80         | 5N04004228  | 77   | 22   | 30   |
| 42 x 35     | 2   | 60         | 5N04004235  | 80   | 27   | 30   |
| 54 x 35     | 2   | 40         | 5N04005435  | 104  | 27   | 35   |
| 54 x 42     | 2   | 30         | 5N04005442  | 98   | 30   | 35   |
| 76,1 x 54   | 1   | 18         | 5N04007654  | 144  | 35   | 54   |
| 88,9 x 54   | 1   | 12         | 5N04008854  | 171  | 35   | 61   |
| 88,9 x 76,1 | 1   | 10         | 5N04008876  | 160  | 54   | 61   |
| 108 x 76,1  | 1   | 5          | 5N040010876 | 210  | 54   | 76   |
| 108 x 88,9  | 1   | 4          | 5N040010888 | 199  | 61   | 76   |

## Aplicaciones



MARINE