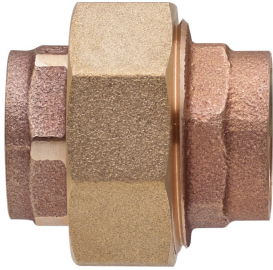
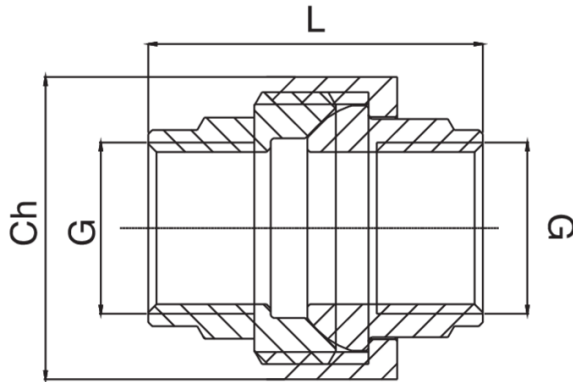


RB3340



Unión recta 3 piezas sede cónica rosca hembra/hembra.

Especificaciones técnicas



G	BAG	MASTER BOX	CÓDIGO	CH	L
1/4"	5	150	RB3340A14A14000	27	37
3/8"	10	100	RB3340A38A38000	30	37
1/2"	5	80	RB3340A12A12000	37	41
3/4"	5	50	RB3340A34A34000	46	46
1"	5	60	RB3340B01B01000	52	51
1"1/4	1	80	RB3340B14B14000	64	59
1"1/2	1	12	RB3340B12B12000	73	63
2"	1	8	RB3340C02C02000	89	75

Aplicaciones



DRINKING WATER



HEATING



HVAC



GAS



COMPRESSED AIR



SOLAR



FIREFIGHTING