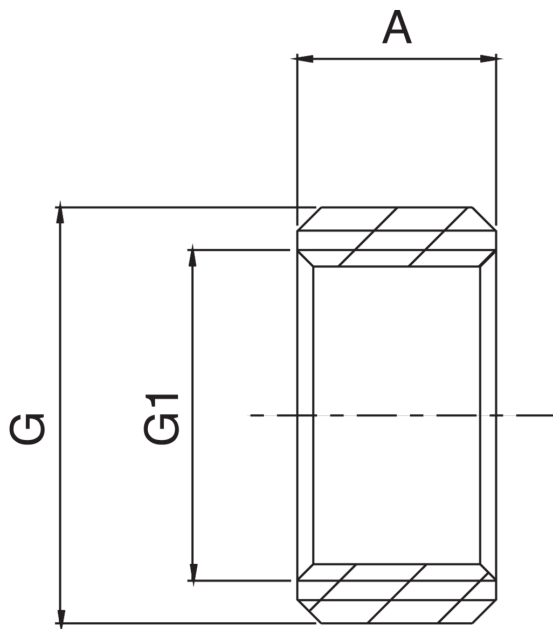


## OT5517

Tuerca de unión rosca hembra ISO 228/1.



### Especificaciones técnicas



G X G1	BAG	MASTER BOX	CÓDIGO	A
3/8" x 1/4"	10	200	OT5517A38A14000	10
1/2" x 3/8"	10	500	OT5517A12A38000	10
3/4" x 1/2"	10	500	OT5517A34A12000	10
1" x 3/4"	10	150	OT5517B01A34000	13

# Aplicaciones



DRINKING WATER



HEATING



HVAC



GAS



COMPRESSED AIR



SOLAR



FIREFIGHTING