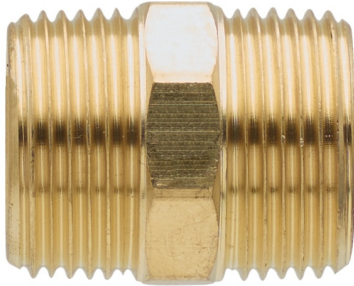
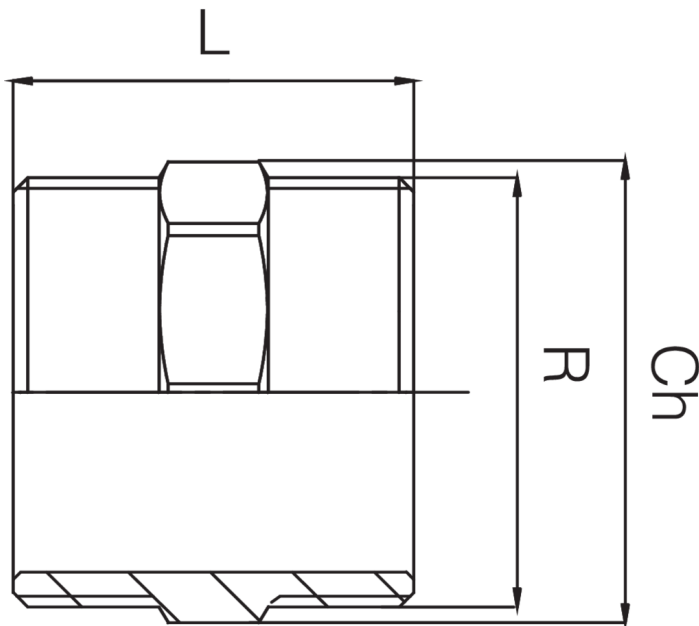


OT5520

Manguito rosca macho/macho.



Especificaciones técnicas



R	BAG	MASTER BOX	CÓDIGO	L	CH
1/4"	10	100	OT5520A14A14000	22	14
3/8"	10	300	OT5520A38A38000	26	17
1/2"	10	250	OT5520A12A12000	28	21
3/4"	10	150	OT5520A34A34000	31	27
1"	10	100	OT5520B01B01000	40	34
1"1/4	5	50	OT5520B14B14000	45	42
1"1/2	5	40	OT5520B12B12000	47	48
2"	5	25	OT5520C02C02000	55	60
2"1/2	5	10	OT5520C12C12000	65	90
3"	5	25	OT5520D03D03000	75	95

Aplicaciones



DRINKING WATER



HEATING



HVAC



GAS



COMPRESSED AIR



SOLAR



FIREFIGHTING