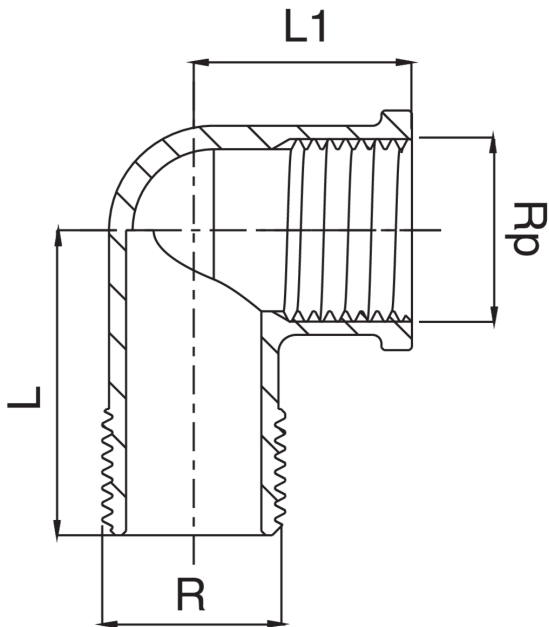


OT5092

Codo rosca hembra/macho.



Especificaciones técnicas



| RP X R | BAG | MASTER BOX | CÓDIGO | L | L1 |
|---------------|-----|------------|-----------------|------|----|
| 1/4" x 1/4" | 10 | 200 | OT5092A14A14000 | 28 | 19 |
| 3/8" x 3/8" | 10 | 150 | OT5092A38A38000 | 29 | 21 |
| 1/2" x 1/2" | 10 | 100 | OT5092A12A12000 | 35 | 25 |
| 1/2" x 3/4" | 10 | 200 | OT5092A12A34000 | 37,5 | 26 |
| 3/4" x 3/4" | 5 | 70 | OT5092A34A34000 | 40 | 27 |
| 1" x 1" | 5 | 40 | OT5092B01B01000 | 48 | 32 |
| 1"1/4 x 1"1/4 | 5 | 25 | OT5092B14B14000 | 55 | 40 |
| 1"1/2 x 1"1/2 | 5 | 15 | OT5092B12B12000 | 60 | 60 |
| 2" x 2" | 1 | 10 | OT5092C02C02000 | 71 | 71 |
| 2"1/2 x 2"1/2 | 1 | 4 | OT5092C12C12000 | 82 | 82 |
| 3" x 3" | 1 | 3 | OT5092D03D03000 | 94 | 94 |

Aplicaciones



DRINKING
WATER



HEATING



HVAC



GAS



COMPRESSED
AIR



SOLAR



FIREFIGHTING