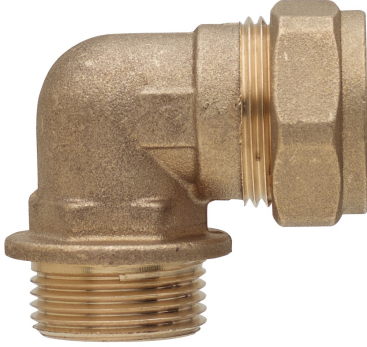
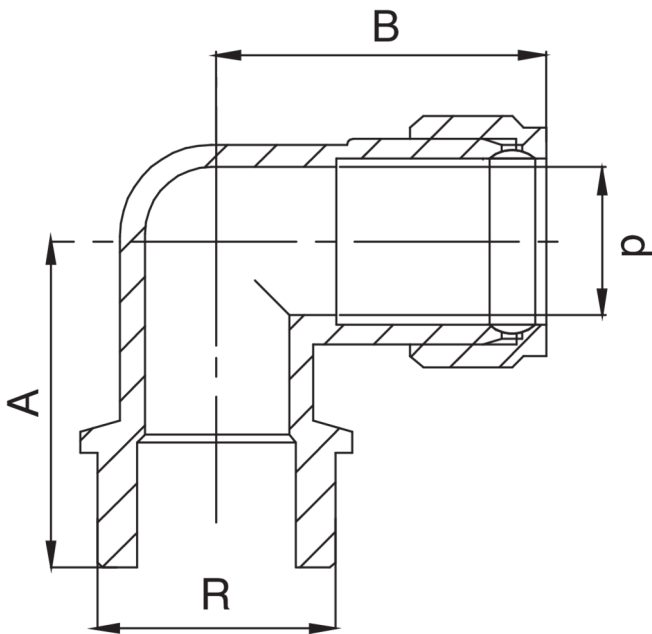


## OT6092

Codo mixto H/rosca macho.



### Especificaciones técnicas



<b>D X R</b>	<b>BAG</b>	<b>MASTER BOX</b>	<b>CÓDIGO</b>	<b>A</b>	<b>B</b>
10 x 3/8"	10	200	OT6092A38010000	25	26
12 x 3/8"	10	200	OT6092A38012000	25	26,5
12 x 1/2"	10	100	OT6092A12012000	25	26,5
14 x 1/2"	10	100	OT6092A12014000	28	28
15 x 1/2"	10	100	OT6092A12015000	28	29
16 x 1/2"	10	100	OT6092A12016000	28	29,5
18 x 1/2"	10	100	OT6092A12018000	30	30,5
18 x 3/4"	10	100	OT6092A34018000	31	33,5
22 x 3/4"	10	100	OT6092A34022000	32,5	33,5
22 x 1"	10	50	OT6092B01022000	36	37,5
28 x 1"	10	50	OT6092B01028000	40	42

## Aplicaciones



DRINKING  
WATER



HEATING



HVAC



GAS



COMPRESSED  
AIR



SOLAR