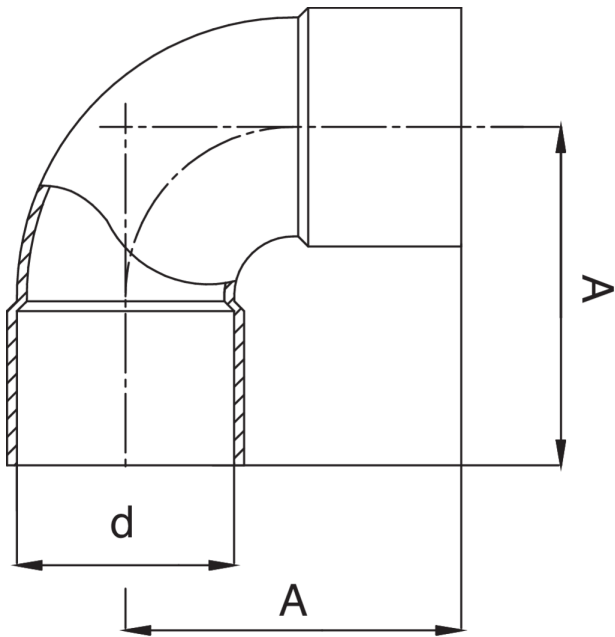




Especificaciones técnicas



| D | BAG | MASTER BOX | CÓDIGO | A |
|-------|-----|------------|-----------------|------|
| 1/4" | 10 | 300 | FR5090A14A14000 | 14 |
| 3/8" | 10 | 200 | FR5090A38A38000 | 15,5 |
| 1/2" | 10 | 300 | FR5090A12A12000 | 18 |
| 5/8" | 10 | 120 | FR5090A58A58000 | 21 |
| 3/4" | 10 | 200 | FR5090A34A34000 | 26 |
| 7/8" | 10 | 40 | FR5090A78A78000 | 31 |
| 1" | 10 | 40 | FR5090B01B01000 | 32 |
| 1"1/8 | 5 | 50 | FR5090B18B18000 | 39 |
| 1"1/4 | 5 | 50 | FR5090B14B14000 | 38 |
| 1"3/8 | 5 | 35 | FR5090B38B38000 | 44 |
| 1"5/8 | 5 | 20 | FR5090B58B58000 | 50 |
| 2"1/8 | 1 | 25 | FR5090C18C18000 | 62,5 |
| 2"5/8 | 1 | 20 | FR5090C58C58000 | 76 |
| 3"1/8 | 1 | 8 | FR5090D18D18000 | 91 |

Aplicaciones



REFRIGERATION