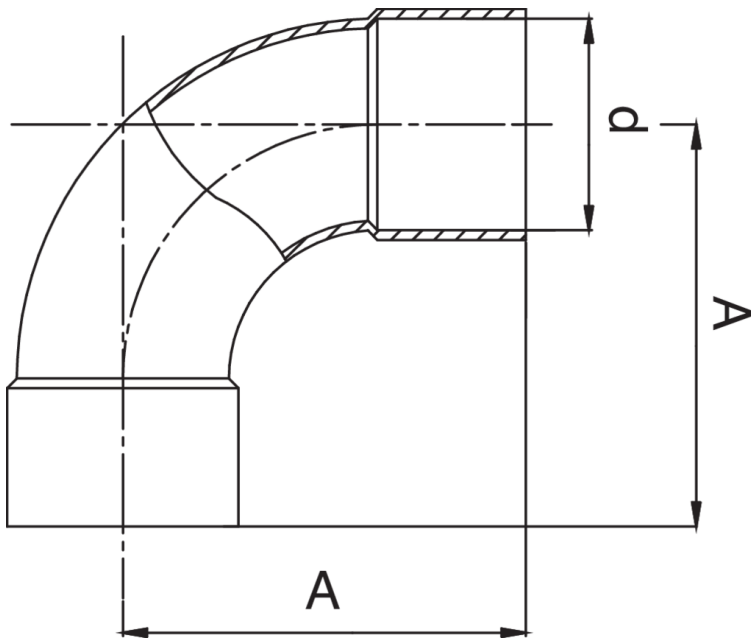


**FR5002**

Curva 90° H/H.



Especificaciones técnicas



D	BAG	MASTER BOX	CÓDIGO	A
1/4"	10	300	FR5002A14A14000	19
3/8"	10	100	FR5002A38A38000	27
1/2"	10	300	FR5002A12A12000	29,5
5/8"	10	150	FR5002A58A58000	34
3/4"	10	100	FR5002A34A34000	45
7/8"	10	80	FR5002A78A78000	49
1"	5	50	FR5002B01B01000	56
1"1/8	5	40	FR5002B18B18000	59,5
1"1/4	5	25	FR5002B14B14000	58,5
1"3/8	5	50	FR5002B38B38000	71
1"5/8	5	10	FR5002B58B58000	85
2"1/8	1	6	FR5002C18C18000	106
2"5/8	1	12	FR5002C58C58000	131,5
3"1/8	1	6	FR5002D18D18000	160

## Aplicaciones



REFRIGERATION