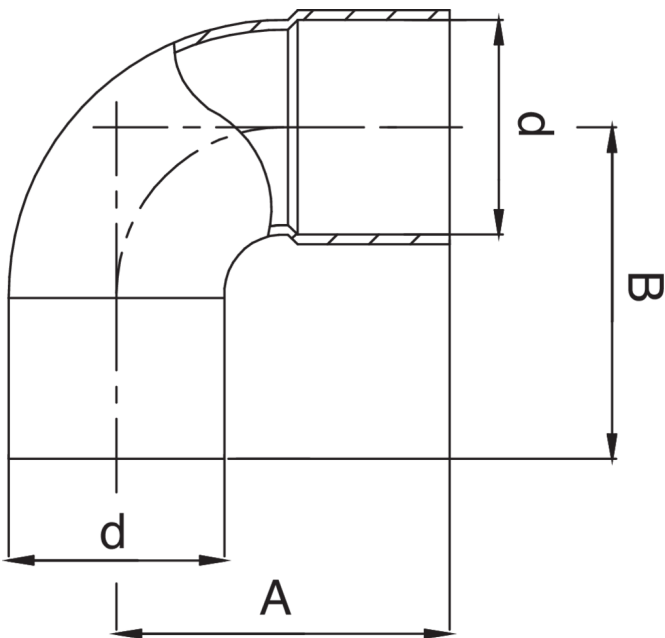




Especificaciones técnicas



| D | BAG | MASTER BOX | CÓDIGO | A | B |
|------|-----|------------|-----------------|-------|-------|
| 6 | 10 | 1000 | RR5092006006000 | 14 | 16 |
| 8 | 25 | 1000 | RR5092008008000 | 16,5 | 18,5 |
| 10 | 10 | 500 | RR5092010010000 | 17 | 19 |
| 12 | 10 | 400 | RR5092012012000 | 19,5 | 21,5 |
| 14 | 10 | 400 | RR5092014014000 | 23 | 25 |
| 15 | 10 | 300 | RR5092015015000 | 25 | 27 |
| 16 | 10 | 300 | RR5092016016000 | 24,5 | 26,5 |
| 18 | 10 | 250 | RR5092018018000 | 28,5 | 30,5 |
| 20 | 10 | 350 | RR5092020020000 | 27 | 29,5 |
| 22 | 10 | 130 | RR5092022022000 | 33 | 35 |
| 28 | 10 | 60 | RR5092028028000 | 42 | 44 |
| 32 | 5 | 100 | RR5092032032000 | 40,5 | 44 |
| 35 | 5 | 100 | RR5092035035000 | 52 | 54 |
| 36 | 5 | 100 | RR5092036036000 | 42,5 | 46,5 |
| 40 | 5 | 50 | RR5092040040000 | 49 | 52,5 |
| 42 | 5 | 50 | RR5092042042000 | 59 | 61 |
| 52 | 1 | 10 | RR5092052052000 | 59,5 | 63,5 |
| 54 | 1 | 10 | RR5092054054000 | 65 | 70 |
| 63 | 1 | 6 | RR5092063063000 | 71 | 74 |
| 64 | 1 | 8 | RR5092064064000 | 72 | 75 |
| 66,7 | 1 | 8 | RR5092067067000 | 72 | 75 |
| 76,1 | 1 | 10 | RR5092076076000 | 81 | 86 |
| 80 | 1 | 10 | RR5092080080000 | 86 | 90 |
| 88,9 | 1 | 10 | RR5092089089000 | 92,5 | 96 |
| 108 | 1 | 5 | RR5092108108000 | 113,5 | 115,5 |

Aplicaciones



DRINKING
WATER



HEATING



HVAC



GAS



COMPRESSED
AIR



SOLAR



INDUSTRIAL