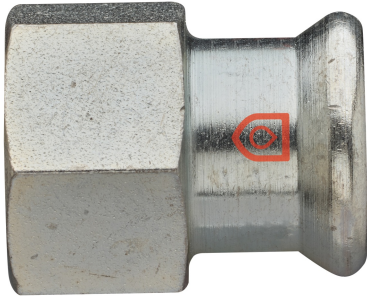
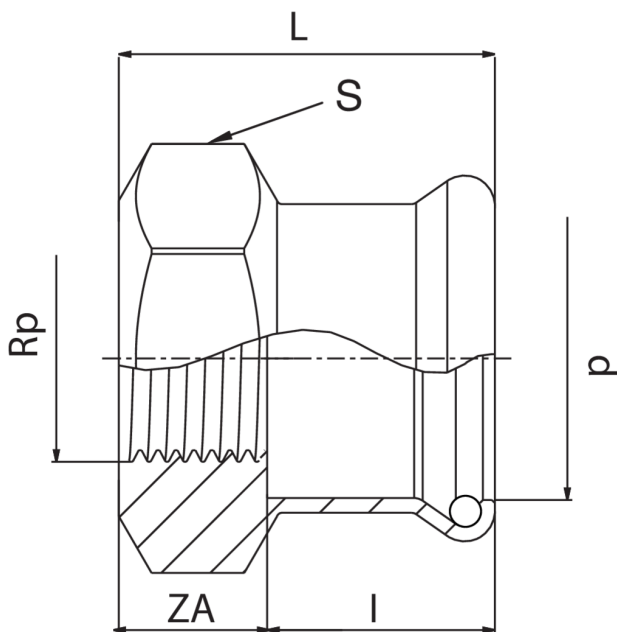


Manguito mixto H/rosca hembra.



Especificaciones técnicas



D X RP	BAG	MASTER BOX	CÓDIGO	I	L	S	ZA
15 x 3/8"	10	100	CMF270A38015000	14	34	24	20
15 x 1/2"	10	200	CMF270A12015000	16	36	24	20
18 x 1/2"	10	150	CMF270A12018000	16	36	25	20
18 x 3/4"	10	100	CMF270A34018000	18	38	32	20
22 x 1/2"	10	100	CMF270A12022000	14	37	32	23
22 x 3/4"	10	100	CMF270A34022000	19	42	32	23
22 x 1"	5	50	CMF270B01022000	20	43	38	23
28 x 1/2"	5	50	CMF270A12028000	15	38	38	23
28 x 3/4"	5	70	CMF270A34028000	14	37	38	23
28 x 1"	5	50	CMF270B01028000	20	43	38	23
35 x 1"	5	40	CMF270B01035000	19	45	45	26
35 x 1"1/4	5	30	CMF270B14035000	24	50	50	26
42 x 1"1/2	1	20	CMF270B12042000	24	54	55	30
54 x 2"	1	10	CMF270C02054000	29	64	70	35

Aplicaciones



HEATING



HVAC



COMPRESSED
AIR